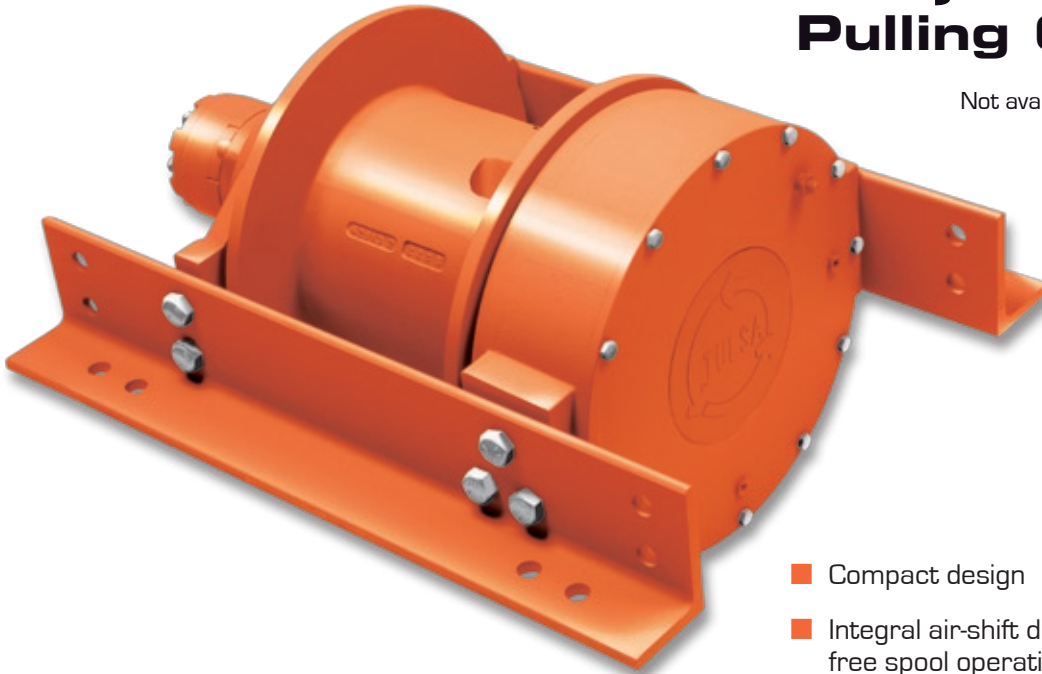


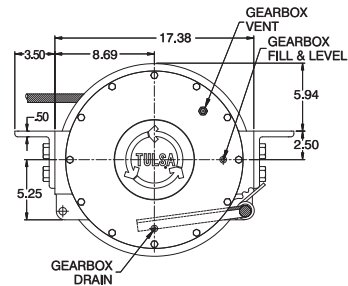
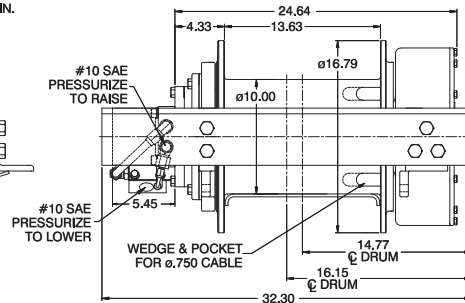
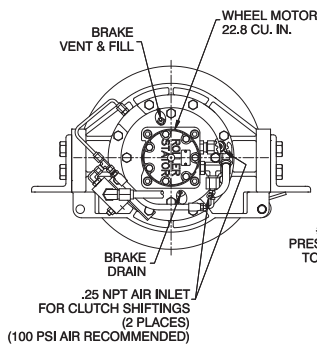
35,000 lb. Pulling Capacity

Not available with the Intelliguard™

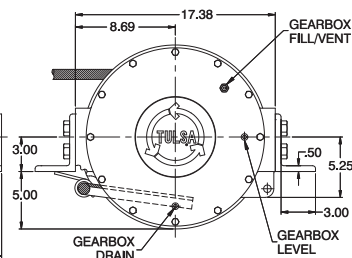
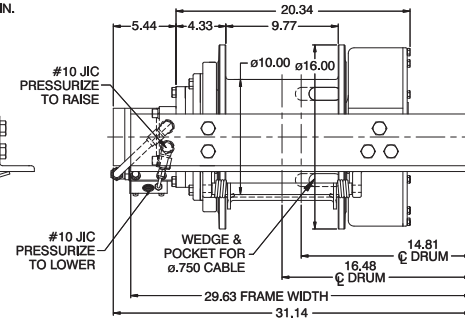
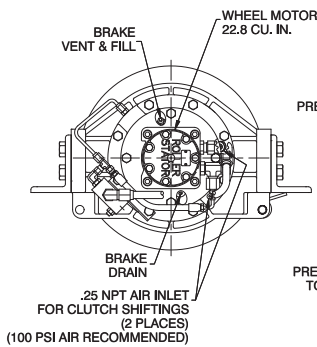


- Compact design
- Integral air-shift disengagement for free spool operation

3541RLA



3541RLB



PERFORMANCE DATA

2,000 PSI @ 30 GPM / 138 BAR @ 114 LPM

Layer	3541RLA (Low Speed)						3541RLB (Low Speed)					
	Linepull (lb)	Linepull (kg)	Linespeed (fpm)	Linespeed (mpm)	Cable Cap. 0.750" Ø (ft)	Cable Cap. 0.750" Ø (m)	Linepull (lb)	Linepull (kg)	Linespeed (fpm)	Linespeed (mpm)	Cable Cap. 0.750" Ø (ft)	Cable Cap. 0.750" Ø (m)
1	35,000	15,876	19	5	46	14	35,000	15,876	19	5	33	10
2	30,722	13,935	21	6	98	30	30,722	13,935	21	6	70	21
3	27,371	12,415	24	7	156	48	27,371	12,415	24	7	113	34

CAUTION:

The last 5 wraps of cable must be left on the drum to assist the cable clamp in holding the load.

WARNING:

Winches and capstans are not intended to be used for lifting or moving of persons.

3541RL

Planetary Hydraulic Winch