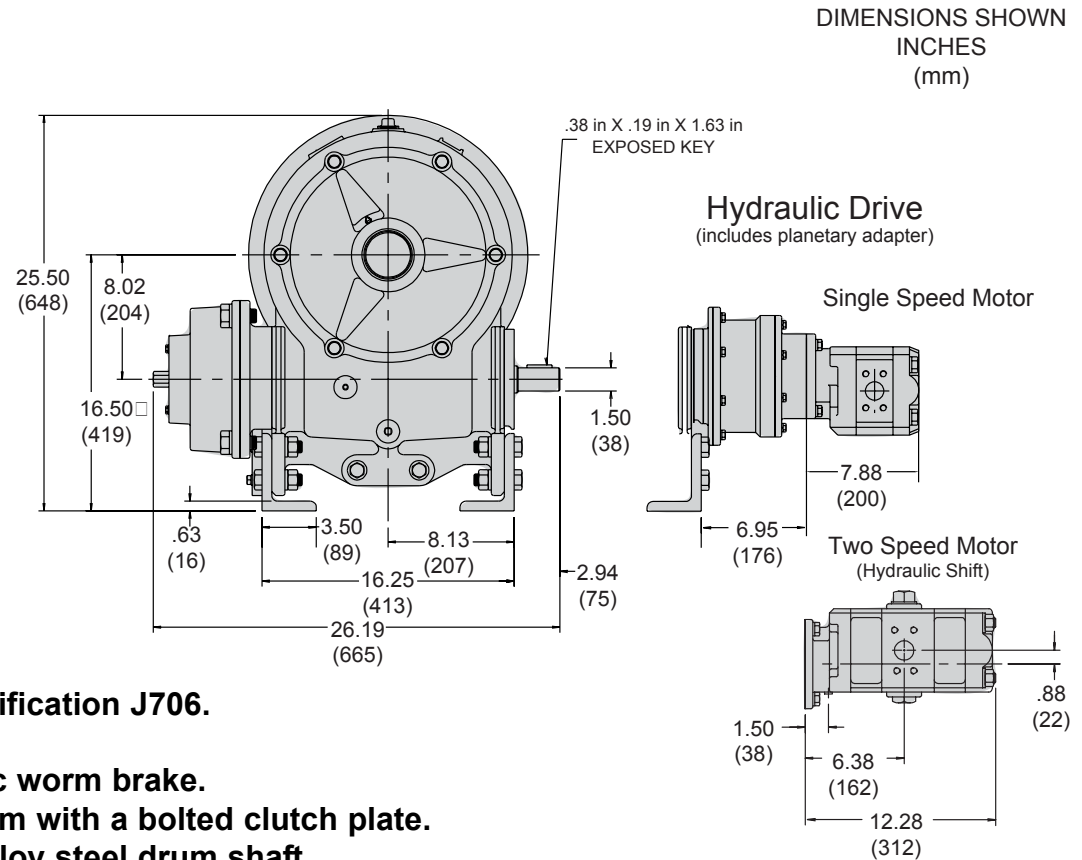
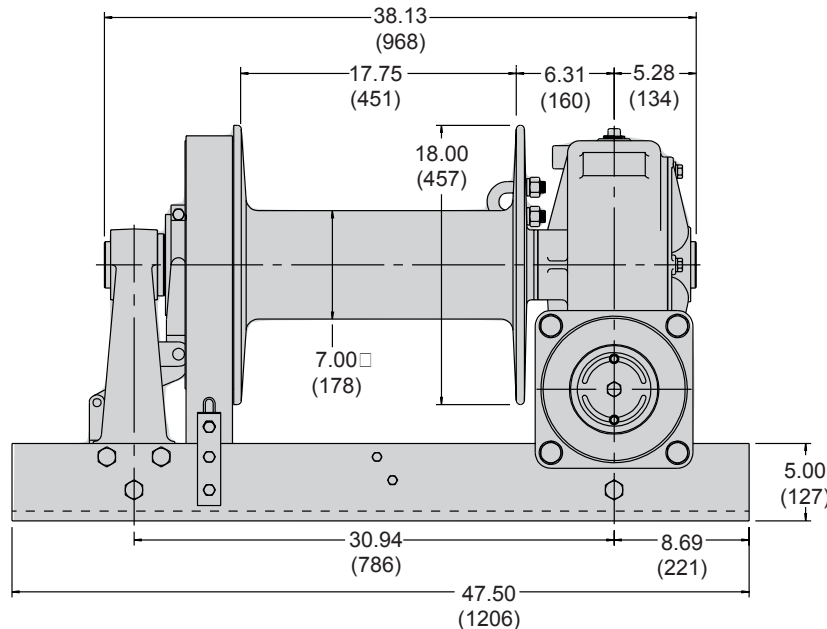


AHS20P/ AMS20

45,000 LB First Layer Line Pull

BRADEN®

DIMENSIONAL INFORMATION



- Tested in compliance with SAE Specification J706.
- Rugged and compact design.
- Oil-cooled, fully adjustable automatic worm brake.
- Large capacity ductile iron cable drum with a bolted clutch plate.
- Ground and polished, heat treated alloy steel drum shaft.
- Freespool clutch with negative draft jaws for positive engagement under load.
- Automatic drag brake helps prevent drum from back spinning.

PACCAR WINCH DIVISION

P.O. Box 547 Broken Arrow, Oklahoma 74013
 PHONE: (918) 251-8511 FAX: (918) 259-1575
www.paccarwinch.com

PERFORMANCE INFORMATION

Single Speed Performance

5.1 cu in. (83 cc)
2,300 Δ psi (159 Δ bar) @ 60 gpm (277 lpm)

7/8 in. WIRE ROPE						
LAYER	LINE PULL		LINE SPEED		ROPE CAPACITY	
	(lbs)	(kg)	(fpm)	(mpm)	(ft)	(m)
1	45,000	20,453	18	5.5	37	11.3
2	36,800	16,726	22	6.7	83	25.3
3	31,200	14,180	26	7.9	140	42.7
4	27,000	12,272	30	9.2	200	61.0
5	23,800	10,817	34	10.4	270	82.4
6	21,300	9,681	38	11.6	350	106.8

2-Speed Performance

4.9/2.4 cu in. (80/40 cc)
3,000 Δ psi (209 Δ bar) @ 40 gpm (151 lpm)

Layer	Low Speed				High Speed			
	LINE PULL		LINE SPEED		LINE PULL		LINE SPEED	
	(lbs)	(kg)	(fpm)	(mpm)	(lbs)	(kg)	(fpm)	(mpm)
1	45,000	20,300	11	3.3	20,780	9,400	24	7.2
2	36,000	16,200	13	3.9	16,620	7,500	30	9.0
3	30,000	13,500	16	4.8	13,850	6,200	36	10.8
4	25,720	11,600	19	5.7	11,870	5,300	42	12.6
5	22,500	10,100	22	6.6	10,390	4,700	48	14.4

WIRE ROPE CAPACITY

ROPE SIZE	LAYER													
	1		2		3		4		5		6		7	
in.	ft	(m)	ft	(m)	ft	(m)	ft	(m)	ft	(m)	ft	(m)	ft	(m)
3/4	43	13.1	94	28.7	150	45.7	220	67.1	300	91.4	380	115.8	480	146.3
7/8	37	11.3	83	25.3	140	42.7	200	61.0	270	82.3	350	106.7		
1	33	10.1	74	22.6	120	36.6	180	54.9	250	76.2				

WIRE ROPE CAPACITY IS 90% OF THEORITICAL.

PERFORMANCE FORMULAS

LINE PULL AT LOWER PRESSURE

$$\frac{\text{YOUR SYSTEM PRESSURE}}{\text{MAXIMUM PRESSURE (FROM CHART)}} \times \text{LINE PULL FROM CHART} = \text{LINE PULL ESTIMATE}$$

LINE SPEED AT LOWER FLOW

$$\frac{\text{YOUR SYSTEM FLOW}}{\text{MAXIMUM FLOW (FROM CHART)}} \times \text{LINE SPEED FROM CHART} = \text{LINE SPEED ESTIMATE}$$

NOTES

Specifications are subject to change without notification and without incurring obligation.

Pressure and flow shown are the maximum allowable for the particular combination of winch, ratio, motor and drum.

Specifications in this publication are theoretical and may vary depending on hydraulic system, environment, etc.

Line pulls are maximum ratings for the winch only.

Wire rope ratings may be lower than the the winch rating. Consult the wire rope manufacturer for ratings.

ENGINEERING DATA

Worm Gear Ratio.....37:1
Planetary Adapter Gear Ratio.....7.75:1
Drum Shaft Diameter.....1.50 in. (38 mm)
Drum Barrel Diameter.....7.0 in. (178 mm)
Oil Capacity.....7 pints
Weight - (winch only).....954 lbs. (433 kg)

MECHANICAL REQUIREMENTS:

Static Input Torque*		Dynamic Input Torque*		Max Input**
lb-in	N-m	lb-in	N-m	RPM
13,300	1,503	9,980	1,128	330

* Without Planetary Motor Adapter
** At Rated Load

⚠ WARNING ⚠

The products described herein are neither designed nor intended for use or application to equipment used in lifting or moving of persons.

⚠ WARNING ⚠

A minimum of 5 wraps of wire rope must be left on the drum to prevent the load from being supported by the wire rope anchor alone. Since the wire rope anchor is not designed to hold the rated load, failure to leave 5 wraps of wire rope on the drum could cause the load to drop, which could result in property damage, personal injury or death.