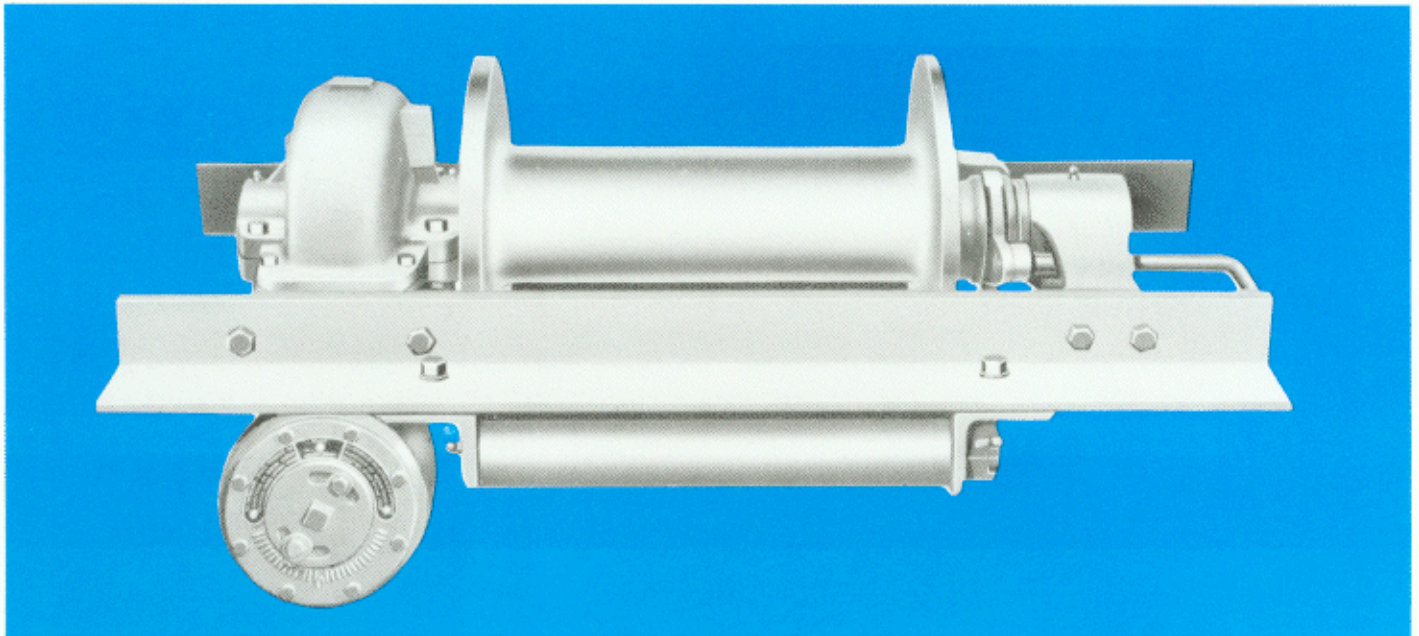




Tulsa Winch

Model 24 Winch
30,000 POUNDS/HEAVY DUTY



DESCRIPTION and FEATURES

● THE MODEL 24

A heavy duty low mount worm gear winch with a 32:1 gear ratio and an improved air-cooled safety brake—automatically engages when power is reversed or removed from winch.

● WORM

Manufactured from an alloy steel forging, machined to close tolerances, ground journals and threads, hardened in a “controlled atmosphere” furnace for long service life.

● WORM GEAR

Manufactured from the highest quality bronze alloy, accurately machined to match the worm.

● SLIDING CLUTCH

Manufactured from manganese alloy steel. Two jaws are matched for complete and even engagement with the drum clutch, with reverse draft to eliminate disengagement under load.

● BEARINGS

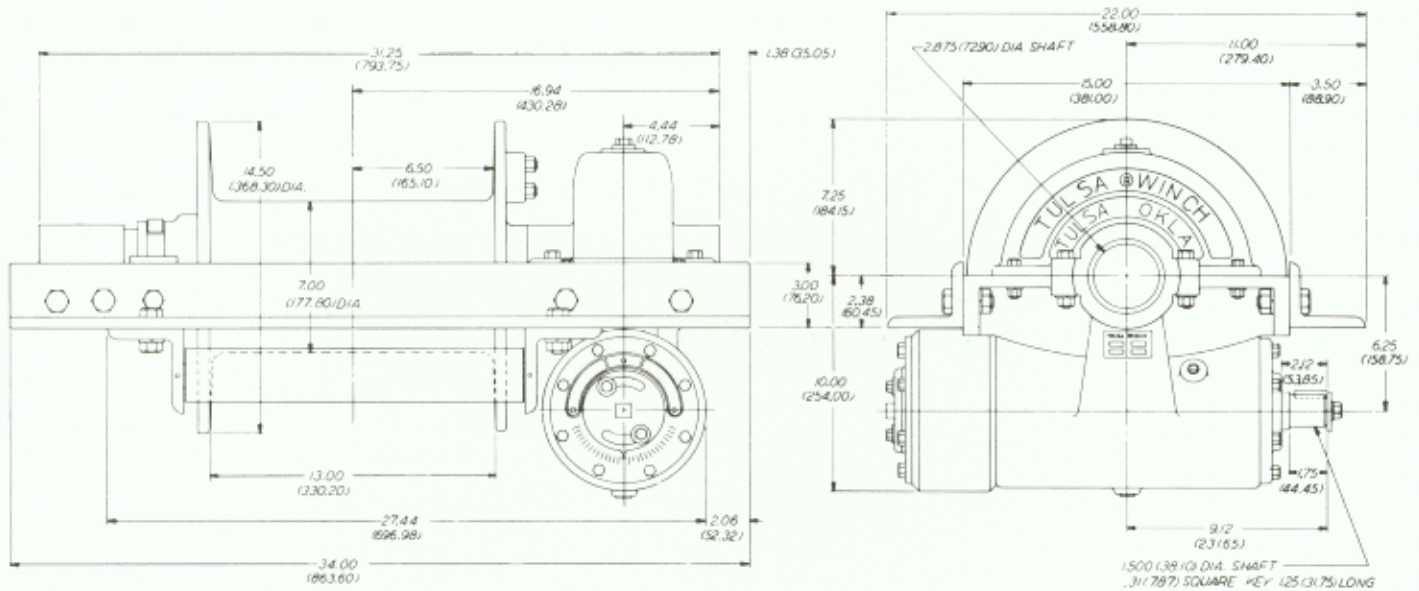
The worm rotates on deep-groove, heavy duty, radial ball bearings which never need adjustment.

● PRECISION MANUFACTURED COMPONENTS

Extra long service life and trouble free operation.

● **NOT APPROVED FOR PERSONNEL LIFTS.**

Installation Drawings



SPECIFICATIONS

Safe Working Capacity Pounds	Drum Shaft Diameter	Drum Barrel Diameter	Worm Gear Ratio	Weight Pounds
30,000 (13,608 KG)	27/8" (73.03 MM)	7" (177.80 MM)	32:1	514 (233.15 KG)

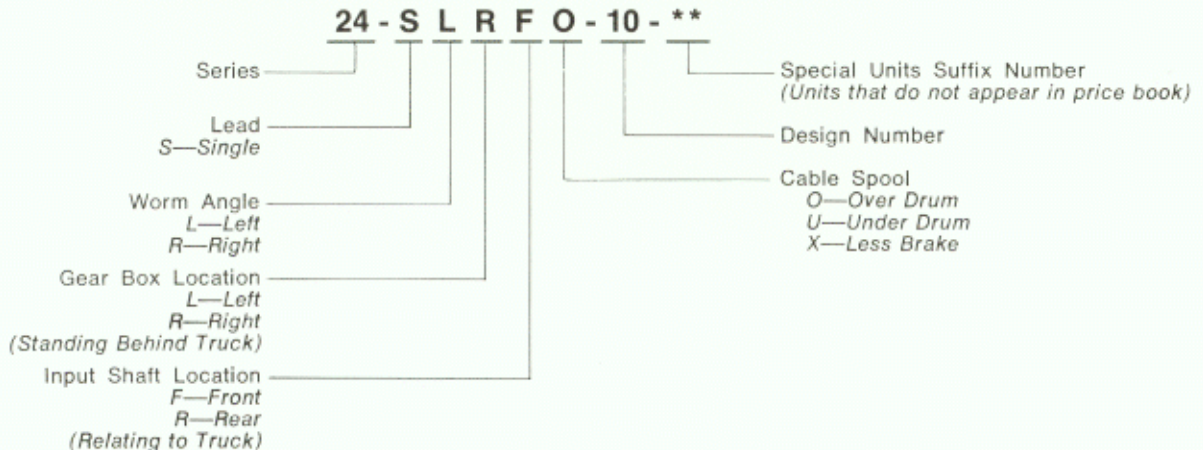
RATED LINE PULL IN POUNDS (KILOGRAMS) PER LAYER OF CABLE

Cable Size	1st Layer	2nd Layer	3rd Layer	4th Layer	5th Layer
3/4" (19.05 MM)	30,000 (13,608)	25,135 (11,401)	21,627 (9,810)	18,979 (8,609)	16,909 (7,670)

CABLE CAPACITY IN FEET (METERS) Corrected for 90% Taut Cable

Cable Size	1st Layer	2nd Layer	3rd Layer	4th Layer	5th Layer
3/4" (19.05 MM)	31 (9.45)	69 (21.03)	113 (34.44)	163 (49.68)	219 (66.75)

TYPICAL MODEL CODE



Tulsa Winch

P.O. Box 471617 Tulsa, Oklahoma 74147-1617
(918) 663-5744, FAX: (918) 627-3221