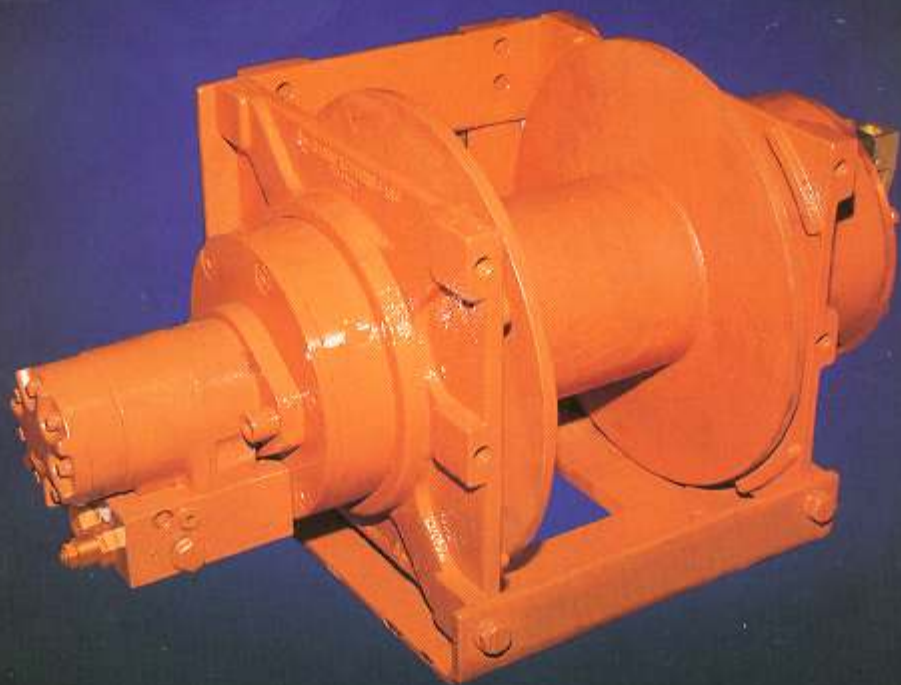




WINCH



Models 12AJ-15AJ-20AJ 12,000-20,000 LB. **Dependable Performance/Compact Component Design**

STANDARD FEATURES:

- Highly Efficient Planetary Gearing
- Multi-Disc Wet Brake
 - Spring Applied/Hydraulic Release
 - Rated at Full Winch Load
- "J-Style" Mounting Base
 - Versatile, Multi-Position
- Fast Line Speeds Under Load
- Hydraulic Brake Valve
 - Controlled Lowering of Load
- Durable Motors
 - Long Life
- Simple Component Design
 - Easy Service
- Right- and Left-Hand Drum Rotations
 - Easy Field Conversion
- Complies with SAE J706

OPTIONAL FEATURES:

- High-Flow or Low-Flow Hydraulic Motors
- Manual or Air/Hydraulic Free Spool
 - Easy-To-Use Spring Activated Engagement
- 4-Way Roller Fairleads
- Spring-Loaded Cable Tensioner
- Custom Mountings
- Special Drum Configurations
- Remote Control (Kit #55091)
 - Operates up to 15 GPM

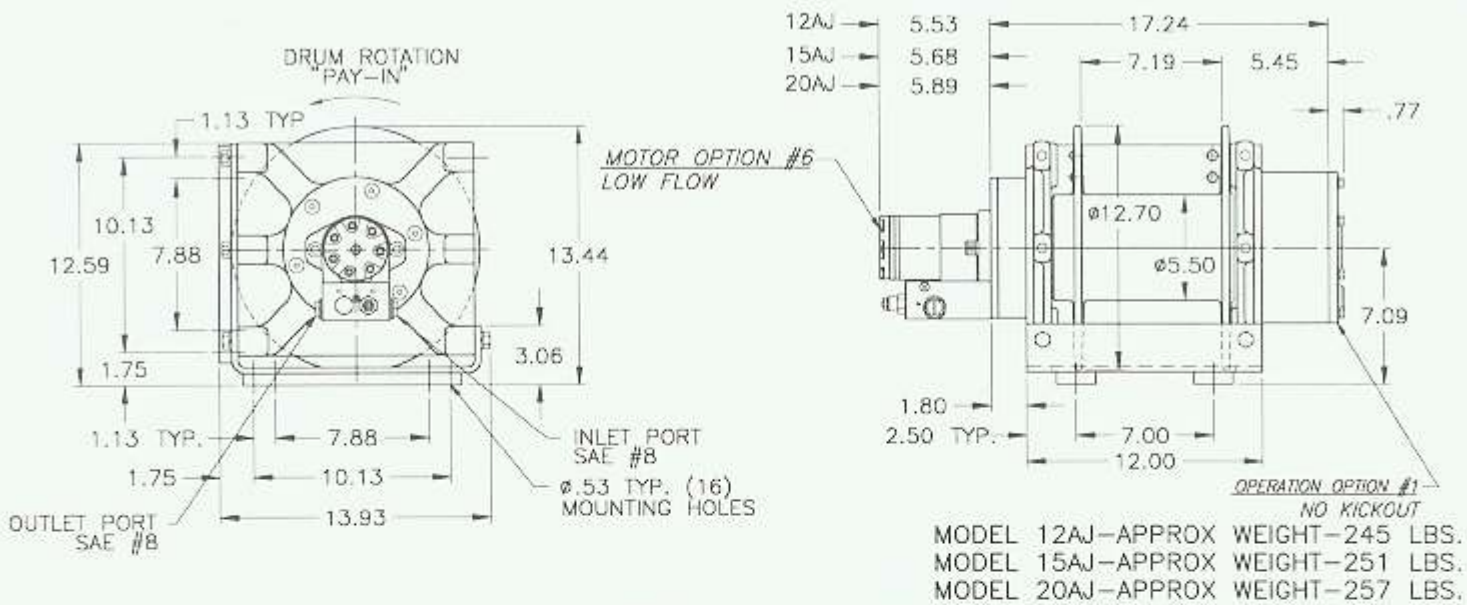


Pull Ahead!



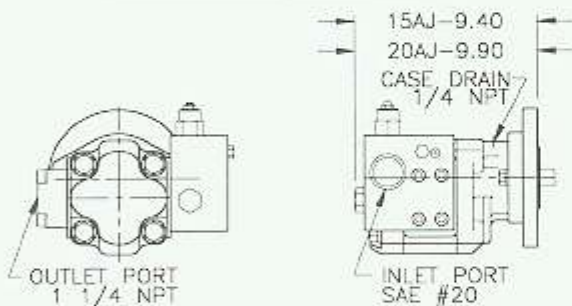
Models 12AJ-15AJ-20AJ

12,000-20,000 LB.



OPTIONAL FEATURES

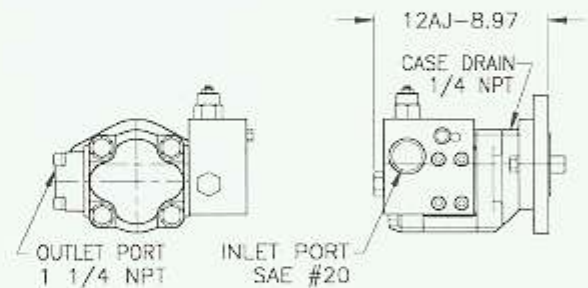
MOTOR OPTION #1 — HIGH FLOW



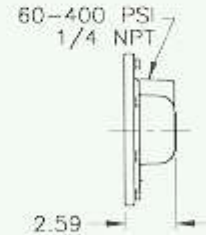
OPERATION OPTION #5
MANUAL-LEVER KICKOUT



MOTOR OPTION #1 — HIGH FLOW



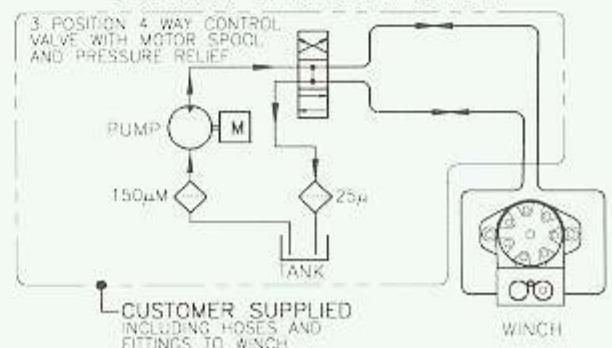
OPERATION OPTION #4
AIR/HYDRAULIC KICKOUT



DRUM CAPACITIES — FT

| LAYER | 7/16" WIRE ROPE | 1/2" WIRE ROPE | 9/16" WIRE ROPE | 5/8" WIRE ROPE |
|-------|-----------------|----------------|-----------------|----------------|
| 1 | 23 | 20 | 18 | 17 |
| 2 | 49 | 44 | 40 | 37 |
| 3 | 79 | 71 | 65 | 60 |
| 4 | 112 | 102 | 93 | 87 |
| 5 | 149 | 135 | 125 | 117 |
| 6 | 189 | 173 | *160 | — |
| 7 | 232 | *213 | — | — |
| 8 | *279 | — | — | — |

STANDARD HYDRAULIC SYSTEM



NOTE: Drum capacities are in accordance with SAE J706. Actual capacities are usually up to 10% greater than those shown.
*Last layer capacity does not meet SAE J706.

PERFORMANCE DATA

MODEL 12AJ

| WIRE ROPE DIA. IN. | LAYER | LINE PULL LB. | LINE SPEED FPM | |
|--------------------|-------|---------------|----------------|----------|
| | | | HIGH FLOW | LOW FLOW |
| 7/16 | 1 | 12000 | 111 | 44 |
| | 2 | 10500 | 127 | 51 |
| | 3 | 9270 | 144 | 57 |
| | 4 | 8320 | 160 | 64 |
| | 5 | 7550 | 177 | 70 |
| | 6 | 6910 | 193 | 77 |
| | 7 | 6370 | 209 | 83 |
| | 8 | 5910 | 226 | 90 |

| WIRE ROPE DIA. IN. | LAYER | LINE PULL LB. | LINE SPEED FPM | |
|--------------------|-------|---------------|----------------|----------|
| | | | HIGH FLOW | LOW FLOW |
| 1/2 | 1 | 12000 | 112 | 45 |
| | 2 | 10300 | 131 | 52 |
| | 3 | 9000 | 150 | 60 |
| | 4 | 8000 | 168 | 67 |
| | 5 | 7200 | 187 | 74 |
| | 6 | 6550 | 206 | 82 |
| | 7 | 6000 | 225 | 89 |
| | 8 | - | - | - |

Model 12AJ Performance based on 20 GPM @ 2400 PSI (low flow) and 40 GPM @ 2650 PSI (high flow)

MODEL 15AJ

| WIRE ROPE DIA. IN. | LAYER | LINE PULL LB. | LINE SPEED FPM | |
|--------------------|-------|---------------|----------------|----------|
| | | | HIGH FLOW | LOW FLOW |
| 1/2 | 1 | 15000 | 100 | 35 |
| | 2 | 12900 | 117 | 41 |
| | 3 | 11300 | 134 | 47 |
| | 4 | 10000 | 151 | 53 |
| | 5 | 9000 | 167 | 59 |
| | 6 | 8180 | 184 | 65 |
| | 7 | 7500 | 201 | 71 |

| WIRE ROPE DIA. IN. | LAYER | LINE PULL LB. | LINE SPEED FPM | |
|--------------------|-------|---------------|----------------|----------|
| | | | HIGH FLOW | LOW FLOW |
| 9/16 | 1 | 15000 | 101 | 36 |
| | 2 | 12700 | 120 | 42 |
| | 3 | 10900 | 139 | 49 |
| | 4 | 9640 | 158 | 56 |
| | 5 | 8610 | 177 | 62 |
| | 6 | 7780 | 195 | 69 |
| | 7 | - | - | - |

Model 15AJ Performance based on 20 GPM @ 2450 PSI (low flow) and 45 GPM @ 2650 PSI (high flow)

MODEL 20AJ

| WIRE ROPE DIA. IN. | LAYER | LINE PULL LB. | LINE SPEED FPM | |
|--------------------|-------|---------------|----------------|----------|
| | | | HIGH FLOW | LOW FLOW |
| 9/16 | 1 | 20000 | 107 | 27 |
| | 2 | 16900 | 127 | 32 |
| | 3 | 14600 | 147 | 37 |
| | 4 | 12800 | 167 | 43 |
| | 5 | 11500 | 185 | 48 |
| | 6 | 10400 | 205 | 53 |

| WIRE ROPE DIA. IN. | LAYER | LINE PULL LB. | LINE SPEED FPM | |
|--------------------|-------|---------------|----------------|----------|
| | | | HIGH FLOW | LOW FLOW |
| 5/8 | 1 | 20000 | 108 | 28 |
| | 2 | 16600 | 130 | 33 |
| | 3 | 14200 | 152 | 39 |
| | 4 | 12400 | 174 | 45 |
| | 5 | 11000 | 195 | 50 |
| | 6 | - | - | - |

Model 20AJ Performance based on 20 GPM @ 2550 PSI (low flow) and 60 GPM @ 2800 PSI (high flow)

NOTE: The rated line pulls are for the winch only. Consult the wire rope manufacturer for wire rope ratings. Flows listed are Maximum for each specific motor.

Because of continued product improvement, we reserve the right to make changes without notice.

CAUTION:

The last 5 wraps of cable must be left on the drum to assist the cable clamp in holding the load.

WARNING:

Winches are not intended to be used for the lifting or moving of persons

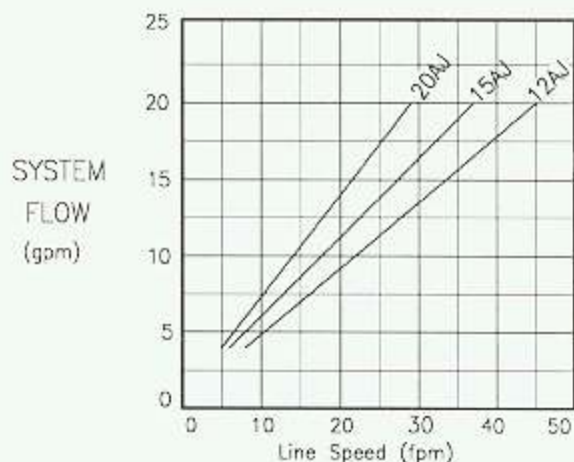
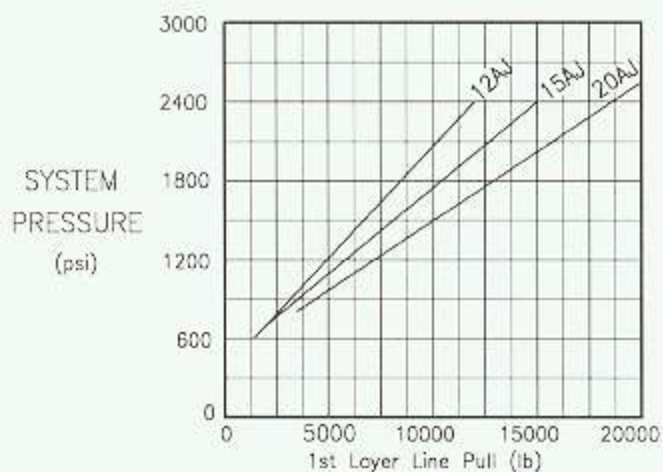


Models 12AJ-15AJ-20AJ

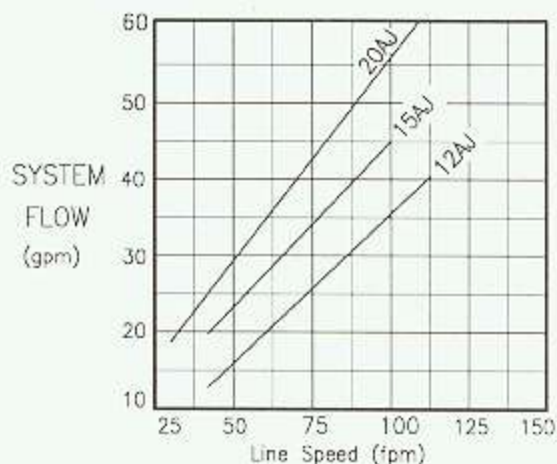
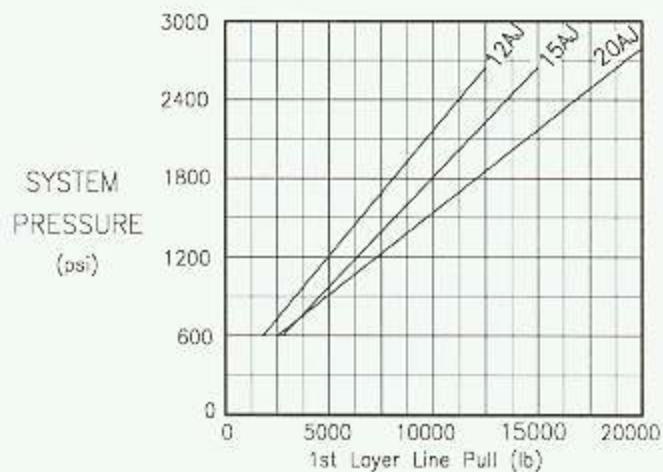
12,000-20,000 LB.

PERFORMANCE CHARTS

LOW FLOW MOTORS



HIGH FLOW MOTORS



Distributor:



Pull Ahead!

dp Manufacturing, Inc. □ 5647 South 122nd East Ave. □ Tulsa, OK 74146
(918) 250-2450 □ 1-800-DP-WINCH □ Fax: (918) 250-0690 □ www.dpwinch.com