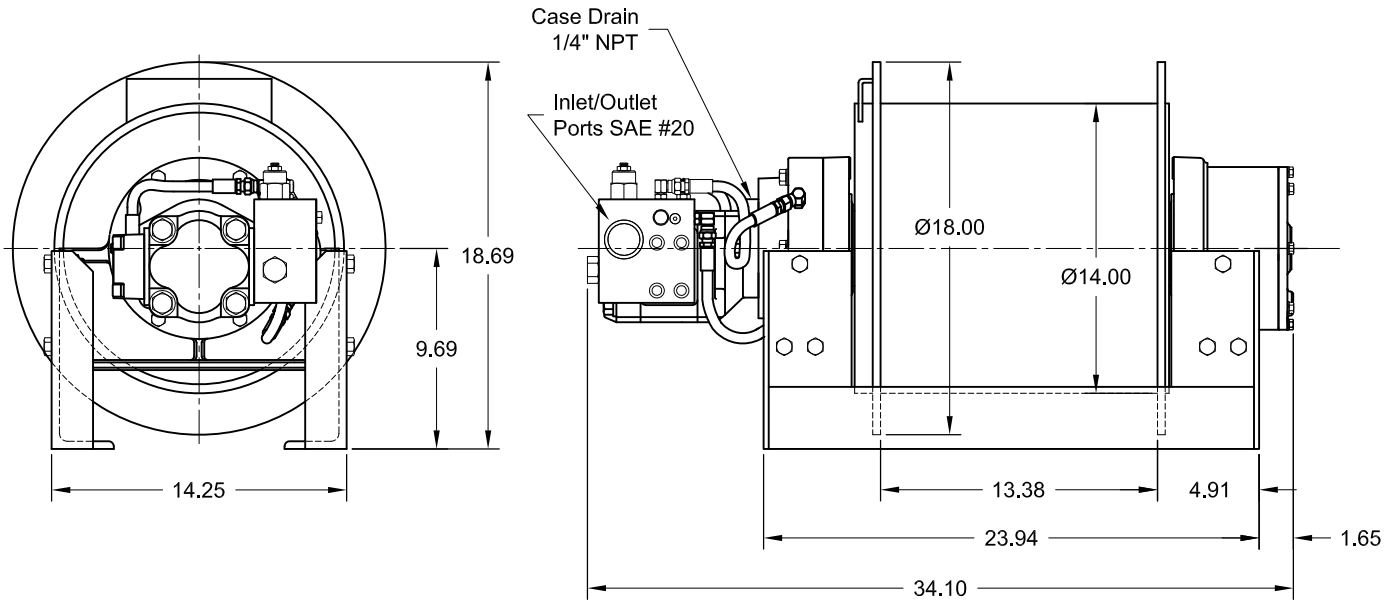




Model SA300B

p/n 52447 - 3,000 lb.



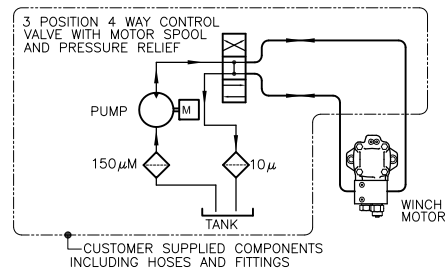
APPROX. WEIGHT: 415 lb.

PERFORMANCE DATA

Layer	Drum Capacity ft	Line Pull lbs	Line Speed fpm
1	134	3000	358
2	275	2850	376
3	425	2720	395
4	579	2590	414
5	741	2480	433

Performance is based on 40 gpm @ 2200 psi with a Ø3/8 wire rope.

TYPICAL HYDRAULIC SYSTEM



Contact your dp sales representative for additional options and features not shown.
The rated line pulls are for the winch only. Consult the rope manufacturer for rope ratings.

Because of continued product improvement, we reserve the right to make changes without notice.

⚠ WARNING	⚠ CAUTION
Winches are not intended to be used for the lifting or moving of persons.	The last 5 wraps cable must be left on the drum to assist the cable clamp in holding the load.

dp Winch is a brand of TWG, a world class manufacturer of integrated gearing and electronic

P.O. Box 1130
Jenks, OK 74037-1130
Voice: 918-298-8300
Fax: 918-298-8301
www.dpwinch.com

