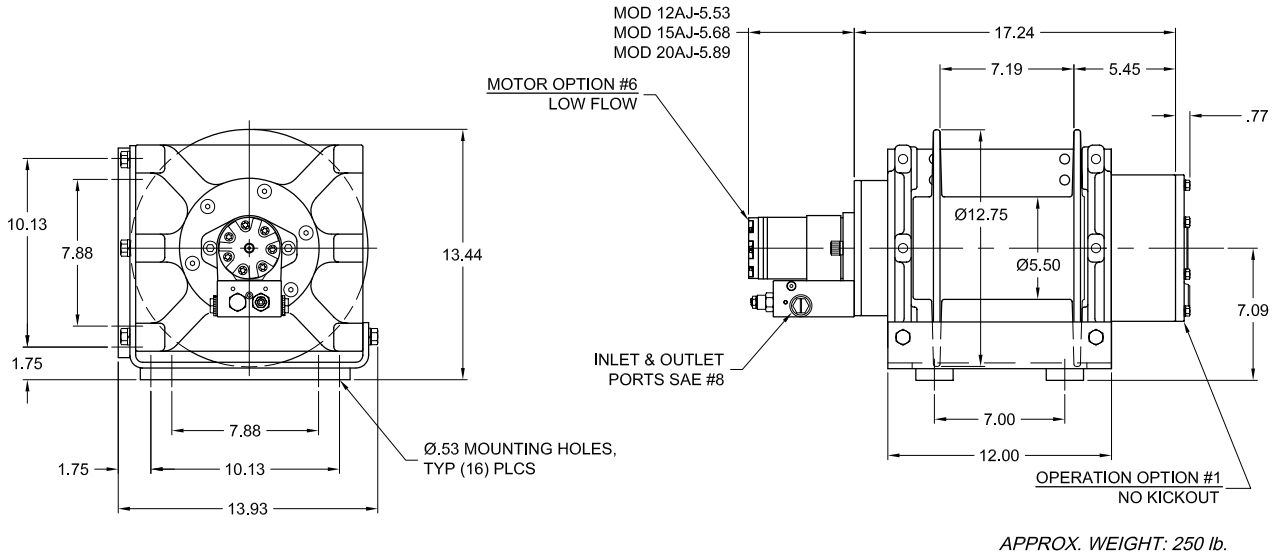




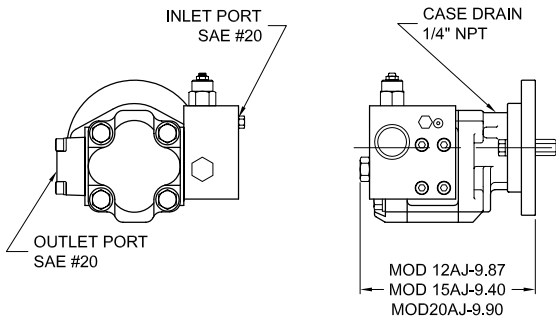
Model 12AJ-15AJ-20AJ

12,000-15,000-20,000 lb.

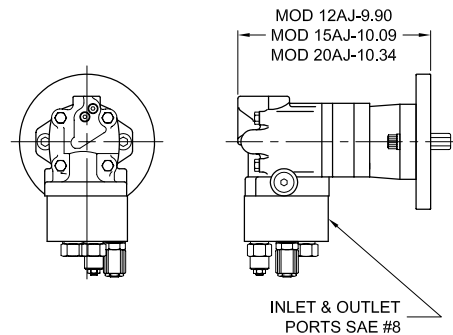


OPTIONAL FEATURES

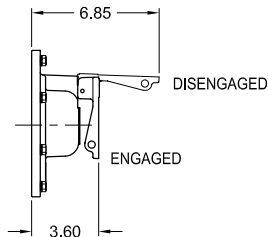
MOTOR OPTION #1 HIGH FLOW



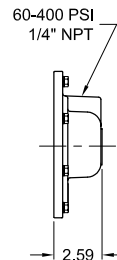
MOTOR OPTION #5 2 SPEED MOTOR



OPERATION OPTION #5 MANUAL-LEVER KICKOUT



OPERATION OPTION #4 AIR/HYDRAULIC KICKOUT



Contact your dp sales representative for additional options and features not shown.

Because of continued product improvement, we reserve the right to make changes without notice.

⚠ WARNING	⚠ CAUTION
Winches are not intended to be used for the lifting or moving of persons.	The last 5 wraps cable must be left on the drum to assist the cable clamp in holding the load.

dp Winch is a part of the Tulsa Winch Group, a worldwide provider of winch systems and electronic load information systems.

P.O.Box 1130
Jenks, OK 74037-1130
Voice: 918-298-8300
Fax: 918-298-8301
www.dpwinch.com





Model 12AJ-15AJ-20AJ

12,000-15,000-20,000 lb.

MOTOR OPTIONS #1 & 6

LAYER	LINE PULL (lbs)	LINE SPEED (fpm)	
		OPTION #1	OPTION #6
1	12000	116	45
2	10300	135	52
3	9000	154	60
4	8000	173	67
5	7200	193	74
6	6550	212	82
7	6000	231	89

Performance is based on 40 gpm @ 2700 psi (option #1), 20 gpm @ 2400 psi (option #6) with Ø1/2" wire rope.

MOTOR OPTIONS #1 & 6

LAYER	LINE PULL (lbs)	LINE SPEED (fpm)	
		OPTION #1	OPTION #6
1	15000	101	36
2	12700	120	42
3	10900	139	49
4	9640	158	56
5	8610	177	62
6	7780	195	69

Performance is based on 45 gpm @ 2700 psi (option #1), 20 gpm @ 2500 psi (option #6) with Ø9/16" wire rope.

MOTOR OPTIONS #1 & 6

LAYER	LINE PULL (lbs)	LINE SPEED (fpm)	
		OPTION #1	OPTION #6
1	20000	107	29
2	16600	128	35
3	14200	150	41
4	12400	172	46
5	11000	193	52

Performance is based on 60 gpm @ 3000 psi (option #1), 20 gpm @ 2600 psi (option #6) with Ø5/8" wire rope.

DRUM CAPACITIES - FT.

LAYER	Ø1/2" WIRE ROPE	Ø9/16" WIRE ROPE	Ø5/8" WIRE ROPE
1	20	18	17
2	44	40	37
3	71	65	60
4	102	93	87
5	135	125	117
6	173	160*	-
7	213*	-	-

Drum capacities are in accordance with SAE J706.
Actual capacities are usually up to 10% greater than those shown.
* Layer does not meet SAE J706.

MODEL 12AJ

2 SPEED MOTOR OPTIONS #5

LAYER	LINE PULL (lbs)		LINE SPEED (fpm)	
	LOW	HIGH	LOW	HIGH
1	12000	6000	34	68
2	10300	5150	40	80
3	9000	4500	45	90
4	8000	4000	51	102
5	7200	3600	57	114
-	6550	3275	62	124
-	6000	3000	68	136

Performance is based on 15 gpm @ 2300 psi with Ø1/2" wire rope.

MODEL 15AJ

2 SPEED MOTOR OPTIONS #5

LAYER	LINE PULL (lbs)		LINE SPEED (fpm)	
	LOW	HIGH	LOW	HIGH
1	15000	7500	33	66
2	12700	6350	39	78
3	10900	5450	45	90
4	9640	4820	51	102
5	8610	4300	58	116
6	7780	3890	64	128

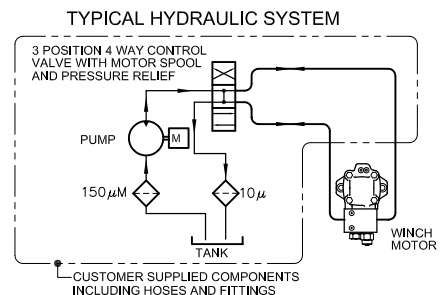
Performance is based on 18 gpm @ 2300 psi with Ø9/16" wire rope.

MODEL 20AJ

2 SPEED MOTOR OPTIONS #5

LAYER	LINE PULL (lbs)		LINE SPEED (fpm)	
	LOW	HIGH	LOW	HIGH
1	20000	10000	36	72
2	16600	8300	43	86
3	14200	7100	50	100
4	12400	6200	57	114
5	11000	5500	65	130

Performance is based on 24 gpm @ 2500 psi with Ø5/8" wire rope.



The rated line pulls are for the winch only. Consult the wire rope manufacturer for wire rope ratings.

Because of continued product improvement, we reserve the right to make changes without notice.

⚠ WARNING	⚠ CAUTION
Winches are not intended to be used for the lifting or moving of persons.	The last 5 wraps cable must be left on the drum to assist the cable clamp in holding the load.

dp Winch is a part of the Tulsa Winch Group, a worldwide provider of winch systems and electronic load information systems.

P.O.Box 1130
Jenks, OK 74037-1130
Voice: 918-298-8300
Fax: 918-298-8301
www.dpwinch.com

