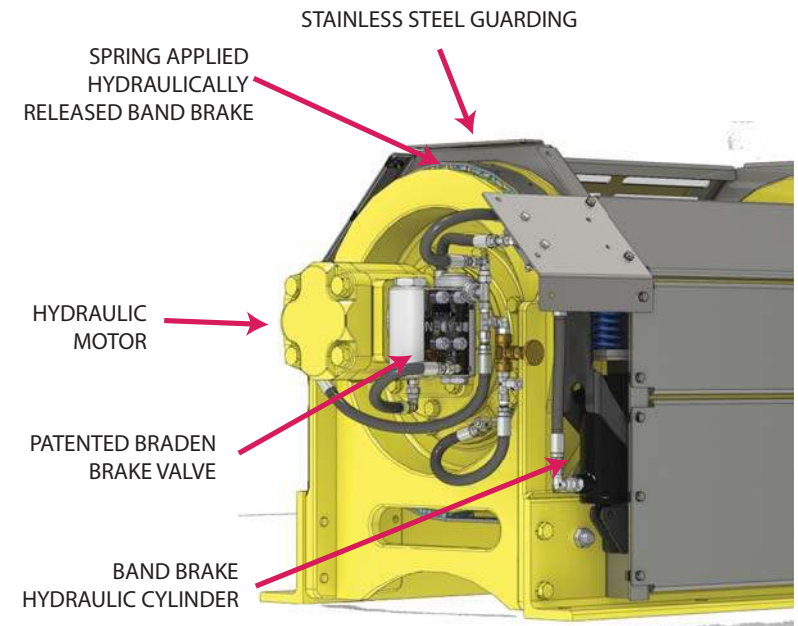


- 15,000 LB First Layer Line Pull for Utility Lifting
4,500 LB First Layer Personnel Lifting Rating
- Internal gearing, brake valve and motor of the proven BRADEN PD15B
- Standard spring applied, hydraulically released external third brake acting directly on the drum
- Standard guard and pressure roller for protection and smooth spooling
- Internal spring applied, hydraulically released multi disc brake
- Exclusively offered by Winches Inc.

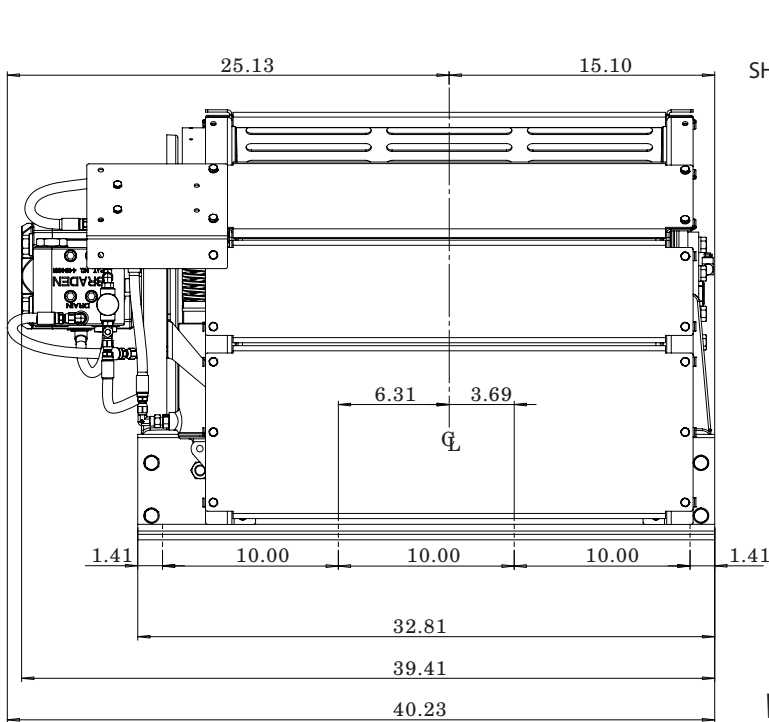
In a combined effort to bring the offshore oil industry cost effective, innovative solutions to improve efficiency and maximize safety, Winches Inc and BRADEN introduce the BH3A hydraulic planetary utility winch designed in accordance with API requirements for lifting personnel. The BH3A combines the proven BRADEN PD15B gear train and braking system with the features of a pneumatic hoist. The BH3A features a 4-way braking system, the patented BRADEN brake valve, the one direction over-running clutch, the internal, spring applied, hydraulically released multi disc brake and an external, spring applied, hydraulically released band brake acting directly on the drum.

BH3A FEATURES

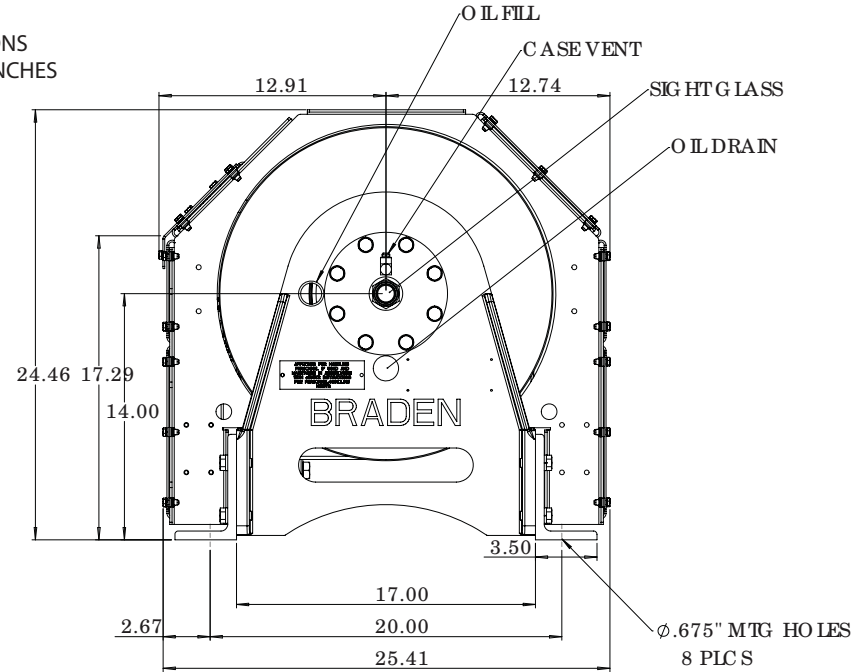


DESIGNED IN ACCORDANCE WITH API 2C

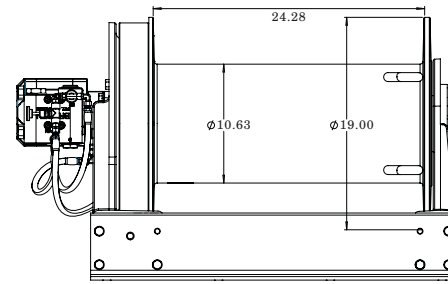
DIMENSIONAL INFORMATION



DIMENSIONS SHOWN IN INCHES

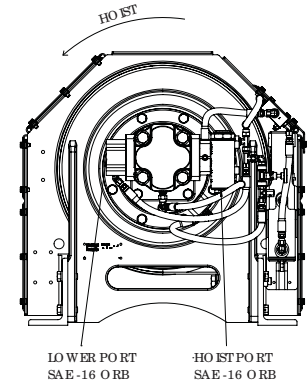


WIRE ROPE STORAGE CAPACITY



DRUM DIMENSIONS - 10.63B x 19.00F x 24.25L

ROPE SIZE	LAYER					
	1	2	3	4	5	6
5/8 in	114	241	381	534	699	877
3/4 in	96	205	327	462	609	



PERFORMANCE INFORMATION

LAYER	LINE PULL		LINE SPEED	
	(lbs)	(kg)	(fpm)	(mpm)
1	15,000	6,804	142	43
2	13,500	6,123	157	48
3	12,270	5,566	173	53
4	11,250	5,103	189	58
5	10,390	4,713	205	62
6	9,640	4,373	220	67

PRESSURE	2670 psi
FLOW	60 gpm
ROPE SIZE	5/8 in.
MOTOR DISP.	6.4 cu. in.
DRUM DIA.	10.63 in.
FLANGE DIA.	19.00 in.
FLANGE DIST.	24.28 in.
RATIO	41.25:1

BH3A
15,000 LB CAPACITY