

INSTALLATION INSTRUCTIONS FOR MODEL 4 LEVEL WINDER KIT #256076

This Level Winder is designed specifically for the Ramsey Winch Model 400 Series Winches. The Model 400 winch is 11.63 inches between flanges.

NOTE: IF LEVEL WINDER IS BEING INSTALLED ON A CAR CARRIER (ROLLBACK), IT IS NECESSARY TO ALSO INSTALL RAMSEY ROLLER GUIDE, PART NO. 274007. FAILURE TO DO SO MAY CAUSE DAMAGE OR BREAKAGE TO THE WINCH LEVEL WINDER OR VEHICLE INSTALLATION PROCEDURE

Disengage the winch clutch and free spool all the cable off the winch and lay it in a line on the ground behind the truck. Disconnect the end of the cable from the cable drum anchor. Drill 0.531" diameter hole through the horizontal flange of the forward most winch mounting angle in 2 places as shown in FIG. 1.

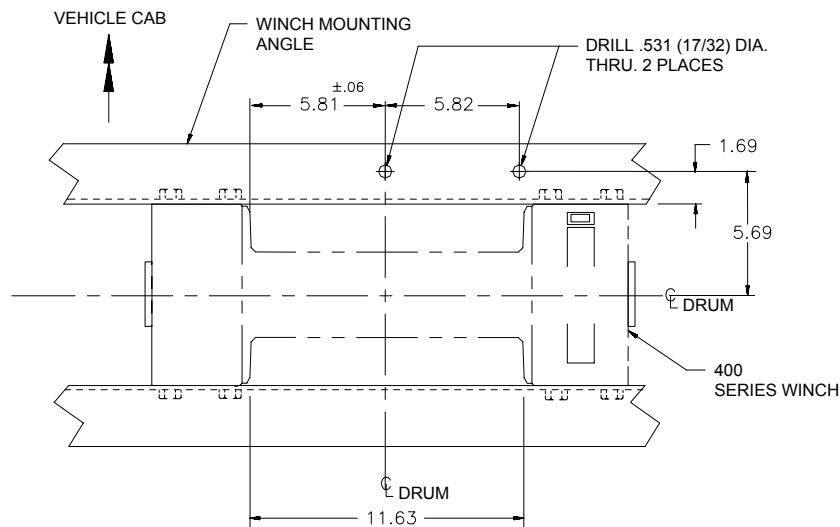


FIGURE 1

Insert the spring retainer into the springs so that the cleat at the center of the retainer will extend toward the vehicle cab when the assembly is in place. Slide the retainer into the spring so that the hole in the center of the retainer lines up with the hold down loop in the center of the spring. Position the hole in the center of the retainer over the .531" diameter hole previously drilled in the flange of the winch mounting angle. Loosely attach the spring retainer and spring to the flange of the winch mounting angle using the 1/2 inch diameter capscrew, nut and lockwasher. After making sure the spring and spring retainer are aligned squarely with the winch, as shown in FIG. 2, install the other capscrew, nut and lockwasher in the other hole and tighten both capscrews securely so that the spring is clamped hard down onto the mounting surface.

NOTE: The surface to which the spring is bolted must be $2.00 \pm .50$ inches above the centerline of winch mounting bolts. See FIG. 2, VIEW A-A.

Insert the end of the cable into the opening of the tensioner so that it passes under the center cross bar and over the front cross bar and install the cable into the cable anchor. Make a sharp bend in the cable where it comes out of the cable anchor. Bring the tensioner up to the winch

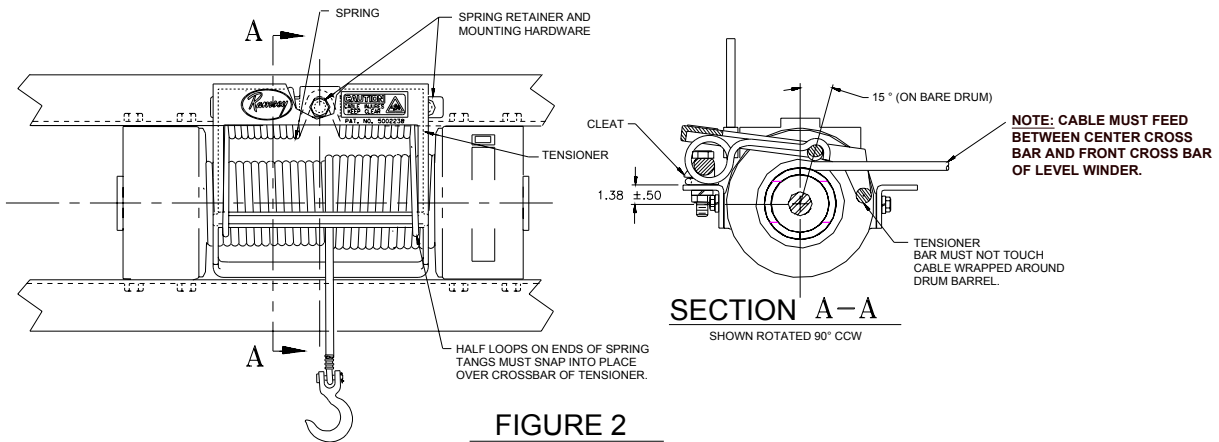


FIGURE 2

and lift up first one then the other of the spring tangs while sliding the center cross bar of the tensioner under the tangs. A pry bar will be necessary to lift up the tangs. Push the tensioner toward the spring until the half loops at the end of each spring tang snap into place over the center cross bar of the tensioner. See FIG. 2.

Engage the clutch and run the winch in the reel in direction winding about five wraps of cable onto the drum and stop. Using a hammer, tap these five wraps tightly over against the cable anchor flange of the cable drum. Finish winding all the cable onto the cable drum. As cable winds onto the drum, watch the tensioner. Tensioner must be free to move without obstruction to function properly. If tensioner touches any surrounding structure, correct the problem.

CAUTION: STOP REEL IN OF CABLE BEFORE THIMBLE/HOOK ENTERS LEVEL WINDER. FAILURE TO DO SO MAY CAUSE DAMAGE OR BREAKAGE TO THE WINCH, LEVEL WINDER, OR VEHICLE.

OPERATION:

Lay cable out in a straight line behind the truck to prevent kinking before beginning to wind in. It is not necessary to walk in with the cable, let your Level Winder do the work.

PARTS LIST FOR #256076

PART NO.	QTY.	DESCRIPTION
414558	2	CAPSCREW 1/2-13NC X 3 LG. HX.HD. ALL THREAD GR. 5, PLTD.
418069	2	NUT-HEX. 1/2-13NC REG. PLTD.
418218	2	LOCKWASHER 1/2 MED. SECT. PLTD.
434254	1	DECAL
494107	1	SPRING
688525	1	RETAINER SPRING
688499	1	TENSIONER-CABLE