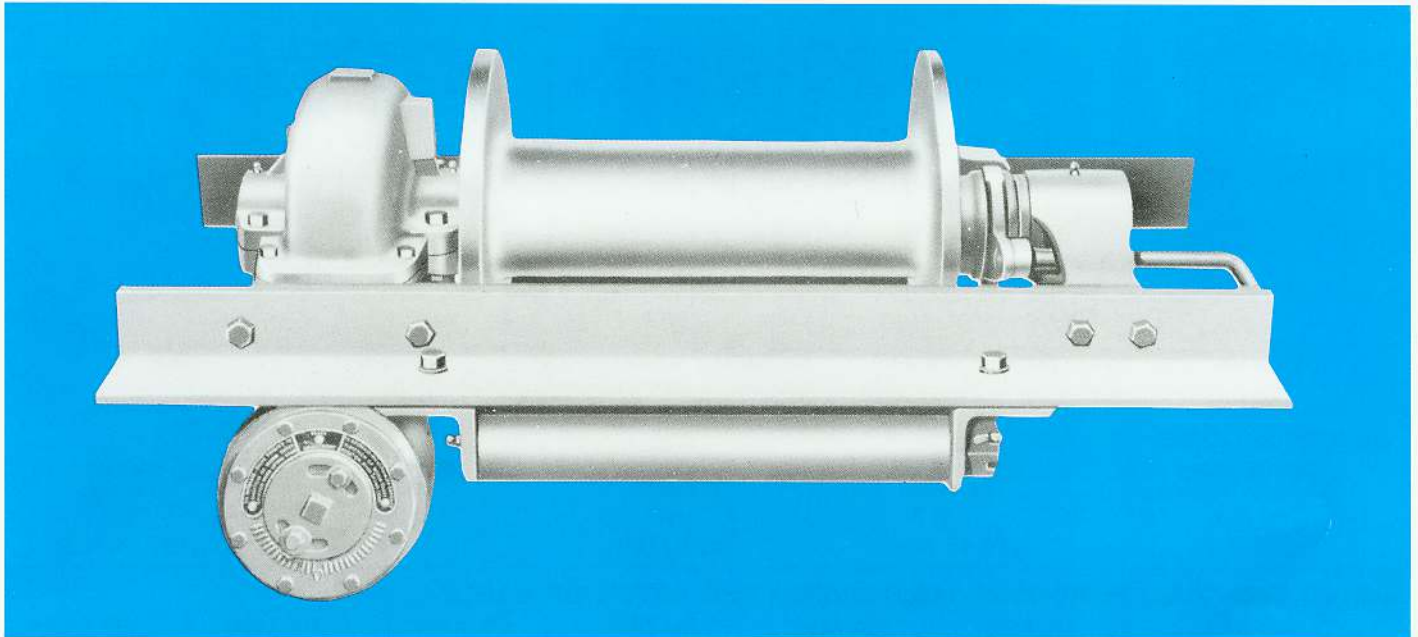




Tulsa Winch

Model 12 Winch
15,000 POUNDS



DESCRIPTION and FEATURES

● THE MODEL 12

A heavy duty low mount worm gear winch with a 27:1 gear ratio and an improved air-cooled safety brake — automatically engages when power is reversed or removed from winch.

● WORM

Manufactured from an alloy steel forging, machined to close tolerances, ground journals and threads, hardened in a “controlled atmosphere” furnace for long service life.

● WORM GEAR

Manufactured from the highest quality bronze alloy, accurately machined to match the worm.

● SLIDING CLUTCH

Manufactured from manganese alloy steel. Two jaws are matched for complete and even engagement with the drum clutch, with reverse draft to eliminate disengagement under load.

● BEARINGS

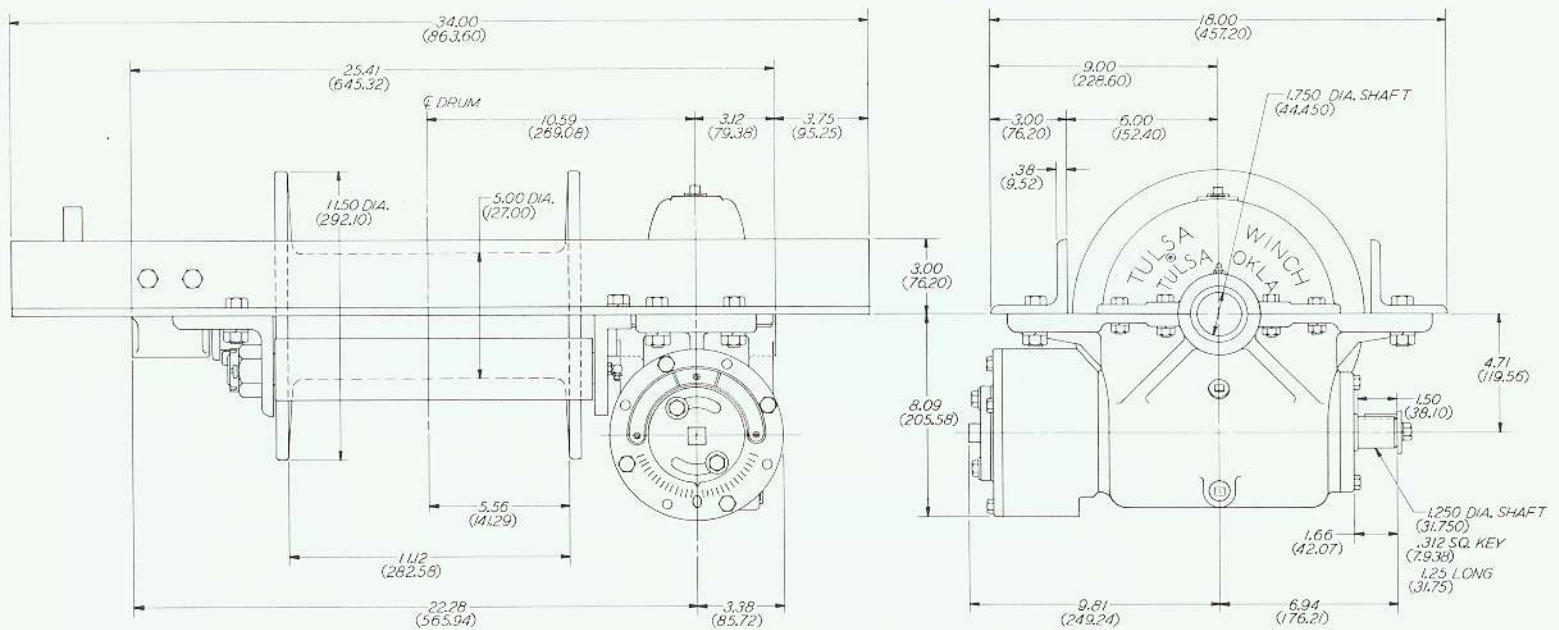
The worm rotates on deep-groove, heavy duty, radial ball bearings which never require adjustment.

● PRECISION MANUFACTURED COMPONENTS

Extra long service life and trouble free operation.

● NOT APPROVED FOR PERSONNEL LIFTS.

Installation Drawings



SPECIFICATIONS

Safe Working Capacity Pounds	Drum Shaft Diameter	Drum Barrel Diameter	Worm Gear Ratio	Weight Pounds
15,000 (6,804)	1 3/4" (44.45 MM)	5" (127 MM)	27:1	282 (127.89 KG)

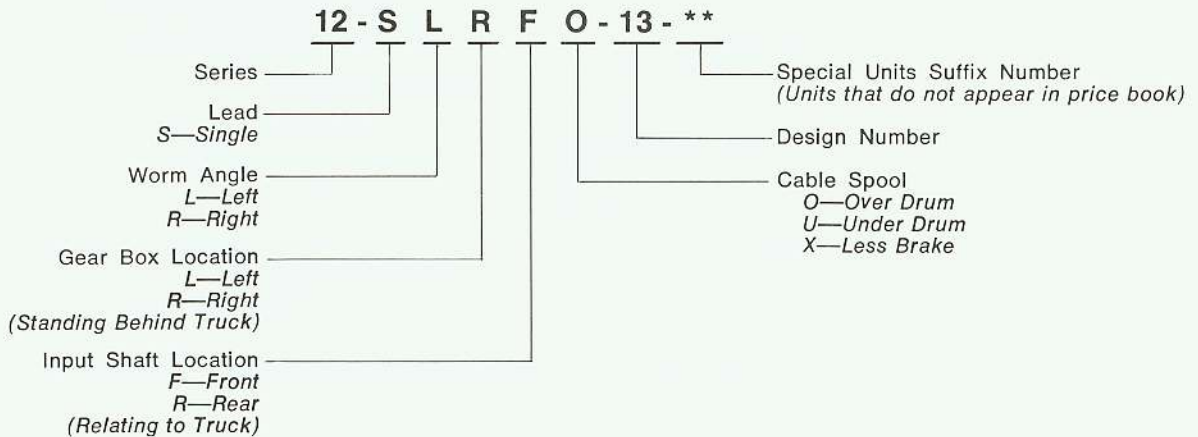
RATED LINE PULL IN POUNDS (KILOGRAMS) PER LAYER OF CABLE

Cable Size	1st Layer	2nd Layer	3rd Layer	4th Layer	5th Layer	6th Layer
1/2" (12.70 MM)	15,000 (6,804)	11,535 (5,232)	10,000 (4,536)	8,825 (4,003)	7,895 (3,581)	7,125 (3,232)

CABLE CAPACITY IN FEET (METERS) Corrected for 90% Taut Cable

Cable Size	1st Layer	2nd Layer	3rd Layer	4th Layer	5th Layer	6th Layer
1/2" (12.70 MM)	28 (8.53)	62 (18.89)	102 (31.07)	146 (44.47)	196 (59.71)	251 (76.46)

TYPICAL MODEL CODE



Tulsa Winch

P.O. Box 471617 Tulsa, Oklahoma 74147-1617
(918) 663-5744, FAX: (918) 627-3221