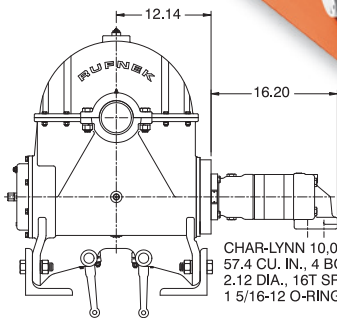
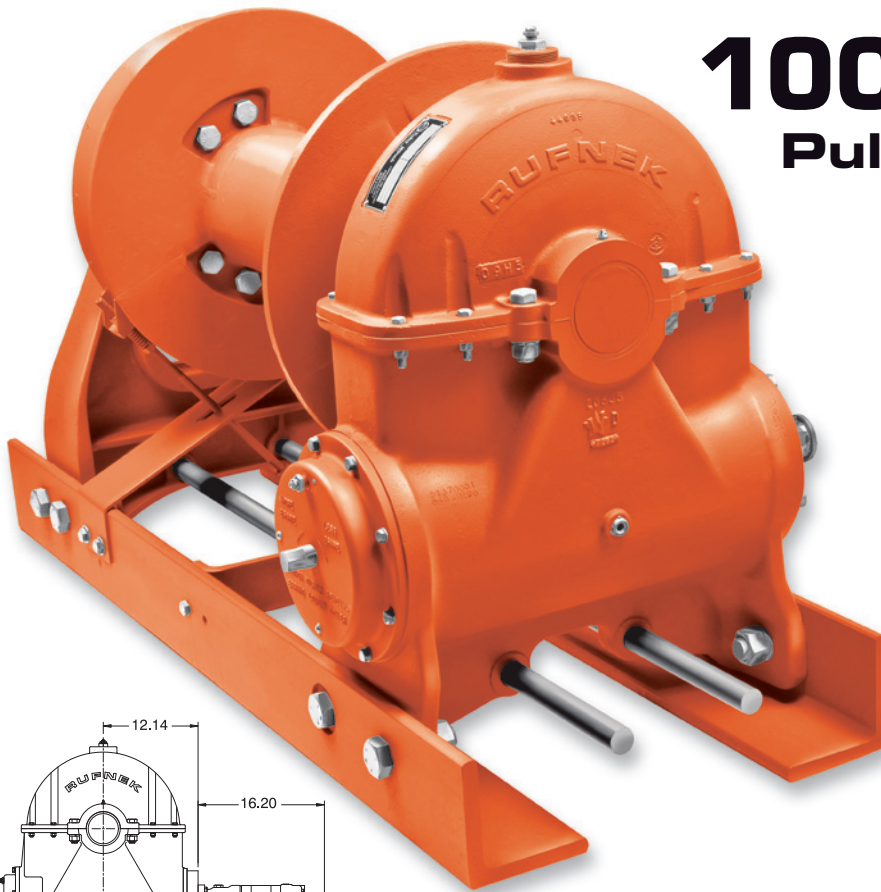


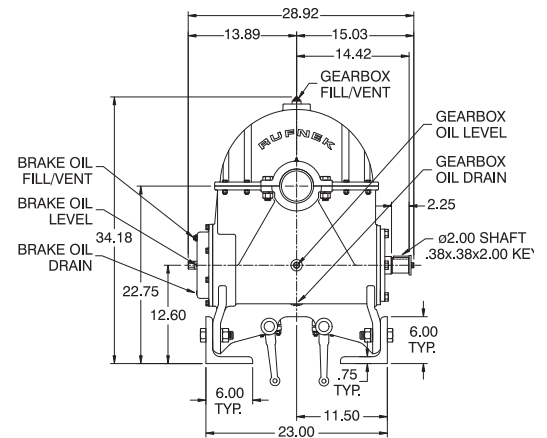
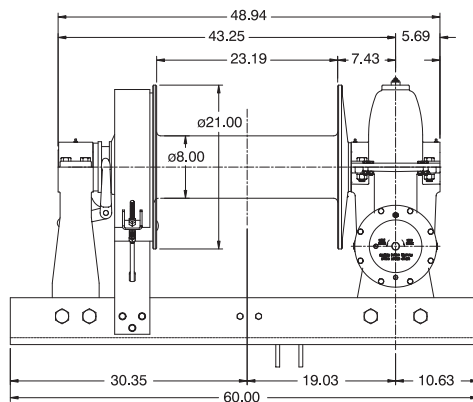
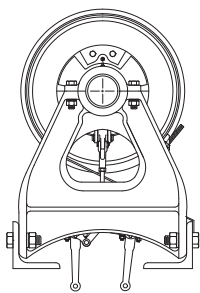
RN100W

RUFNEK® Worm Gear Winches

100,000 lb. Pulling Capacity



CHAR-LYNN 10,000 SERIES MOTOR,
57.4 CU. IN., 4 BOLT "C" MOUNT
2.12 DIA., 16T SPLINED SHAFT
1 5/16-12 O-RING PORTS



Approximate weight: 1,975 lb Mechanical / 2,076 lb Hydraulic

HYDRAULIC PERFORMANCE DATA

Layer	Linepull		Linespeed		Cable Cap. - 1.0" Ø	
	(lb)	(kg)	(fpm)	(mpm)	(ft)	(m)
1	100,000	45,360	7	2	49	15
2	81,866	37,134	9	3	108	33
3	69,271	31,421	10	3	179	55
4	60,035	27,232	12	4	260	79
5	52,972	24,028	14	4	352	107

MECHANICAL DRIVE

Input Torque-Static		Input Torque-Dynamic		Input Speed (rpm)
(lb-in)	(Nm)	(lb-in)	(Nm)	
20,100	2,271	14,500	1,639	max. 400

HYDRAULIC DRIVE (57.4 CID Motor)

Pressure (Δ psi)		Flow (gpm)	
(Δ bar)	(gpm)	(lpm)	(lpm)
1,750	40	151	

8.00 BBI x 21.00 FL x 23.19 W

Cable Size (in)	Capacity (ft)	Capacity (m)
0.875	487	148
1.125	321	98

⚠ CAUTION:

The last 5 wraps of cable must be left on the drum to assist the cable clamp in holding the load.

⚠ WARNING:

Winches and capstans are not intended to be used for lifting or moving of persons.