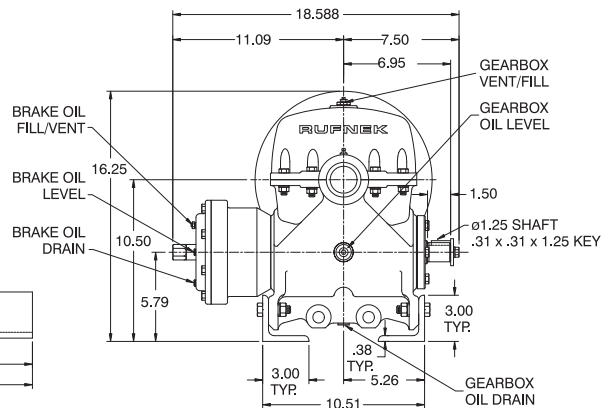
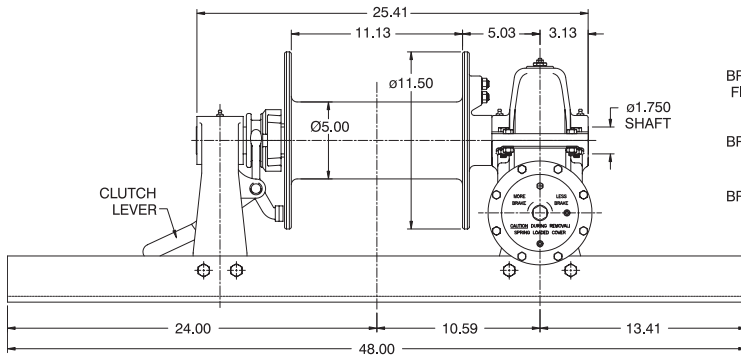
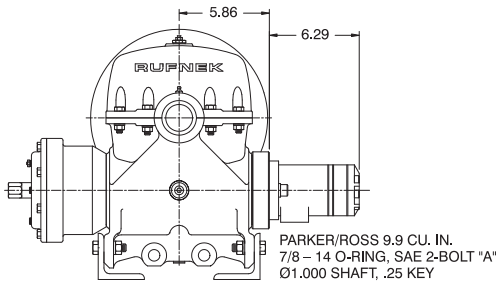
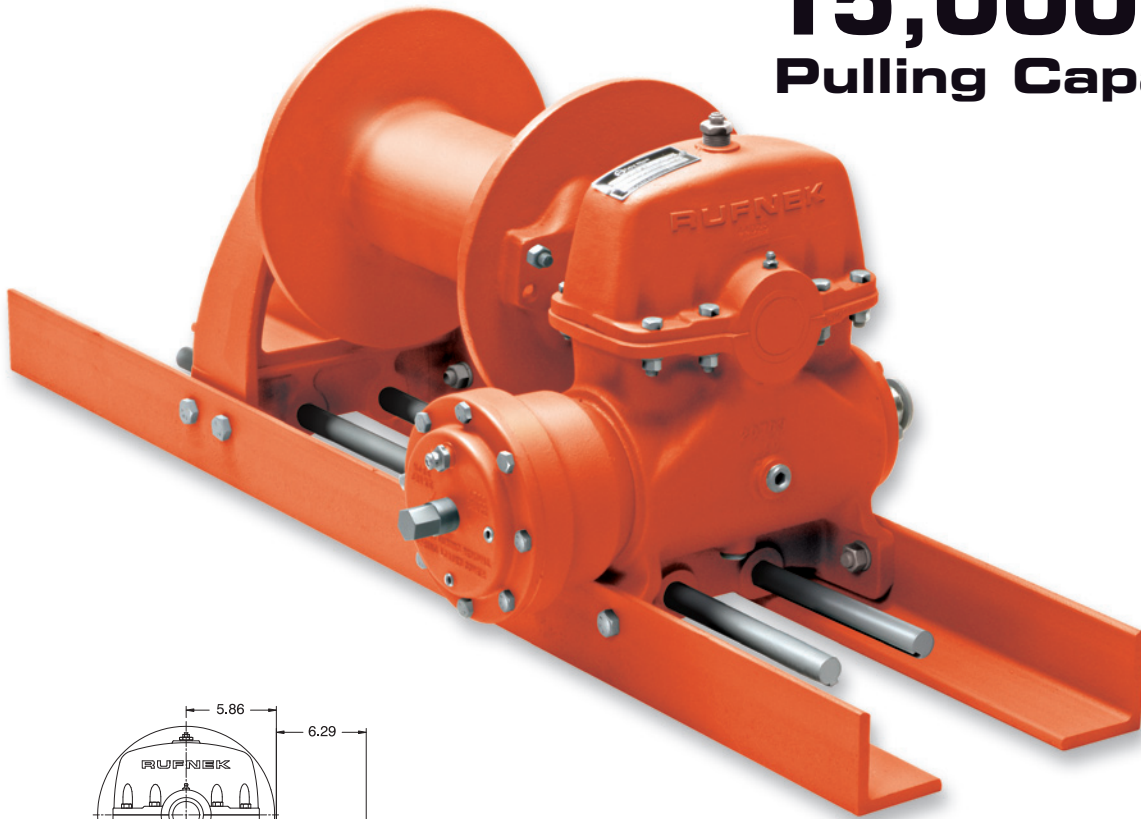


# 15,000 lb. Pulling Capacity



Approximate weight: 260 lb Mechanical / 276 lb Hydraulic

HYDRAULIC PERFORMANCE DATA						MECHANICAL DRIVE						
Layer	Linepull (lb)	Linepull (kg)	Linespeed (fpm)	Linespeed (mpm)	Cable Cap. - .5" Ø (ft)	Cable Cap. - .5" Ø (m)	Input Torque-Static (lb-in)	Input Torque-Static (Nm)	Input Torque-Dynamic (lb-in)	Input Torque-Dynamic (Nm)	Input Speed (rpm)	
1	15,000	6,804	17	5	29	9	3,307	374	2,412	273	max. 600	
2	12,700	5,761	20	6	62	19	<b>HYDRAULIC DRIVE</b> (9.9 CID Motor)					
3	11,006	4,992	23	7	101	31						
4	9,712	4,405	27	8	145	44	<b>Pressure</b>		<b>Flow</b>			
5	8,989	4,077	30	9	194	59	<b>(Δ psi)</b>	<b>(Δ bar)</b>	<b>(gpm)</b>	<b>(lpm)</b>		
							2,000		138		15	57
<b>5.00 BBI x 11.50 FL x 11.13 W</b>												
<b>CAUTION:</b> The last 5 wraps of cable must be left on the drum to assist the cable clamp in holding the load.		<b>WARNING:</b> Winches and capstans are not intended to be used for lifting or moving of persons.				<b>Cable Size (in)</b>	<b>Capacity (ft)</b>	<b>Capacity (m)</b>				
						0.4375	269	82				
						0.5625	130	40				

**RUFNEK®** Worm Gear Winches **RN15W**