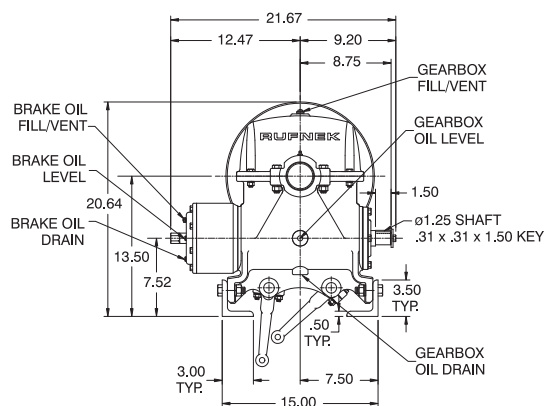
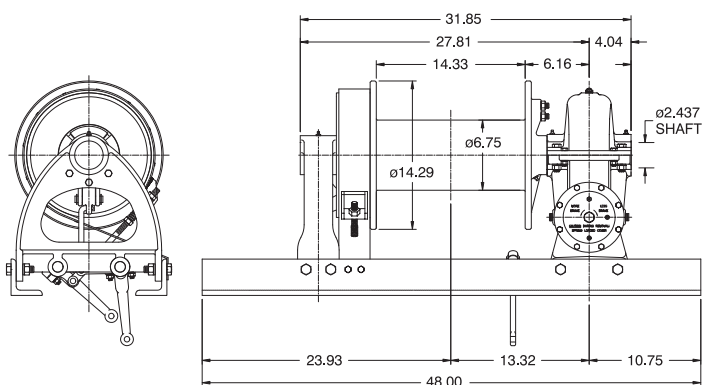
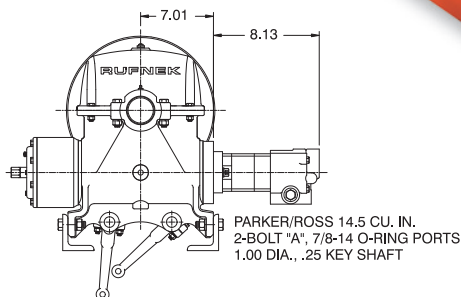
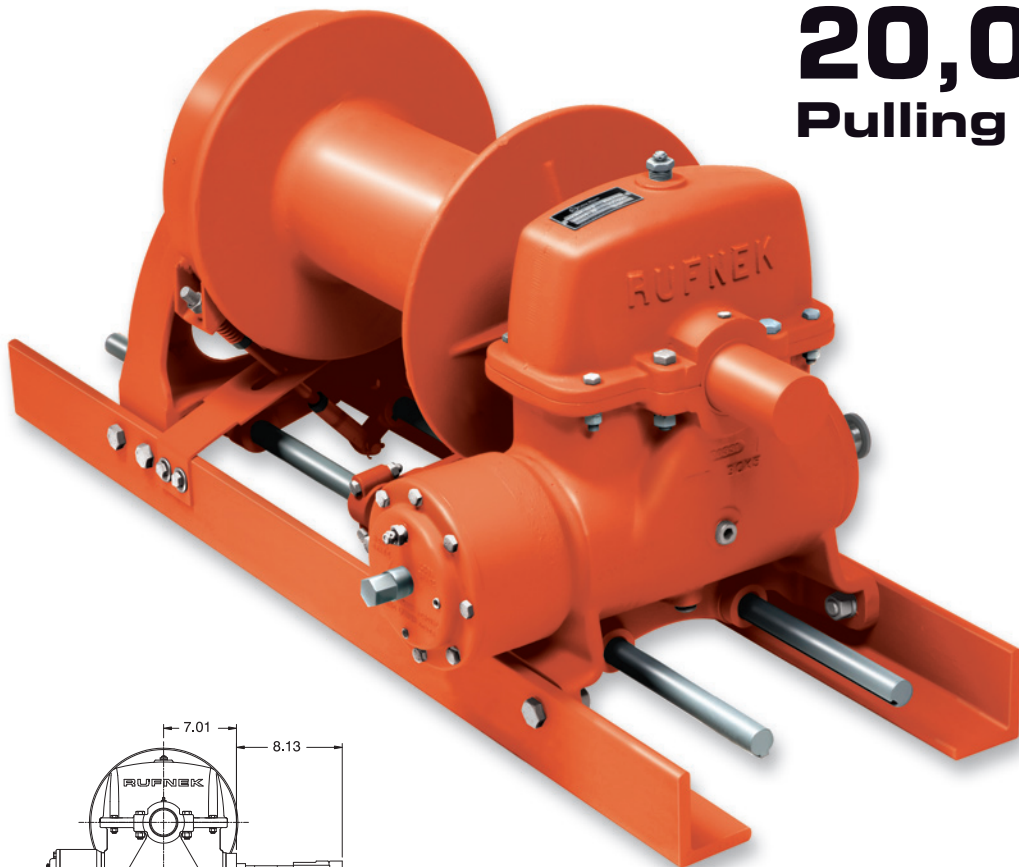


RN20W

RUFNEK® Worm Gear Winches

20,000 lb. Pulling Capacity



Approximate weight: 520 lb Mechanical / 545 lb Hydraulic

HYDRAULIC PERFORMANCE DATA

Layer	Linepull		Linespeed		Cable Cap. - .625" Ø	
	(lb)	(kg)	(fpm)	(mpm)	(ft)	(m)
1	20,000	9,072	24	7	38	12
2	17,130	7,770	28	9	83	25
3	14,976	6,793	33	10	134	41
4	13,302	6,034	37	11	192	59
5	11,965	5,427	41	13	256	78

MECHANICAL DRIVE

Input Torque-Static		Input Torque-Dynamic		Input Speed (rpm)
(lb-in)	(Nm)	(lb-in)	(Nm)	
5,539	626	4,000	452	max. 500
HYDRAULIC DRIVE (14.5 CID Motor)				
Pressure (Δ psi)		Flow (gpm)		Capacity (ft)
2,225	153	25	114	386
6.75 BBI x 14.29 FL x 14.33 W				
Cable Size (in)	Capacity (ft)	Capacity (m)		
.500	386	118		
.5625	282	86		

⚠ CAUTION:

The last 5 wraps of cable must be left on the drum to assist the cable clamp in holding the load.

⚠ WARNING:

Winches and capstans are not intended to be used for lifting or moving of persons.