

**Warn Industries, Inc.**

**12900 S.E. Capps Road**

**Clackamas, OR USA 97015-8903**

**1-503-722-1200 FAX: 1-503-722-3000**

**www.warn.com**

**Customer Service / Service Clients: 1-800-543-9276**

**International Sales Support / Les Ventes internationales**

**Soutien: 1-503-722-3008**

© 2013 Warn Industries, Inc.  
WARN®, the WARN logo are registered trademarks of Warn Industries, Inc.  
WARN® et le logo WARN sont des marques déposées de Warn Industries, Inc.



## ***M8274-50 Winch***

***INSTALLATION AND OPERATOR'S GUIDE  
GUIDE D'INSTALLATION ET OPERATEUR***

English.....	1
Français.....	13
Español.....	25



# Winch Installation and Operator's Guide

Every winching situation has the potential for personal injury. In order to minimize that risk, it is important to read this guide and *The Basic Guide to Winching Techniques* carefully. Please familiarize yourself with the operation of your winch before using it, and be constantly safety oriented. In this guide, we will set forth many of the basic rules of safe winch operation. Please read *The Basic Guide to Winching Techniques* for more information on your winch and proper rigging techniques. Remember, because every winching situation is different, your constant good judgment and consistent focus on safety are of great importance.

**TABLE OF CONTENTS:**

**SAFETY**

Symbol Index ..... 2

General Safety Precautions ..... 3-5

Safe Working Conditions ..... 6

**INSTRUCTIONS**

Mounting Winch ..... 7

Electrical Connections ..... 8-9

Operating Instructions ..... 10-11

Stretching Rope ..... 11-12

Warn Industries Inc.  
 12900 SE Capps Road  
 Clackamas, OR 97015  
 USA

Customer Service: (800) 543-9276  
 International Fax: (503) 722-3005  
 Fax: (503) 722-3000  
 www.warn.com

**SYMBOL INDEX**

SYMBOL	EXPLANATION
	Read All Product Literature
	Always Wear Hearing and Eye Protection
	Never Use Winch as a Hoist
	Properly Seat Load in Throat of Hook
	Wind Rope on Bottom of Drum
	Finger/Fairlead Crushing Hazard
	Hand Piercing/Cutting Hazard
	Explosion/Bursting Hazard
	Never Route Electrical Cables through Sharp Edges Hazard
	Avoid Installing Electrical Cables around Pinch and Wear/Abrasion Points

SYMBOL	EXPLANATION
	Always Wear Leather Gloves
	Do Not Move People
	Always Use Supplied Hook Strap
	Never Apply Load to Hook Tip or Latch
	Never Wind Rope Over Top of Drum
	Fairlead Pinch Point
	Hot Surface Hazard
	Fire and Burn Hazard
	Never Route Electrical Cables through or near Moving Parts Hazard
	Exposed Wiring Hazard, Insulate Exposed Wiring and Terminals
	Never Hook Back on Rope

## Warnings and Cautions



As you read these instructions, you will see WARNINGS, CAUTIONS, NOTICES and NOTES. Each message has a specific purpose. WARNINGS are safety messages that indicate a potentially hazardous situation, which, if not avoided could result in serious injury or death. CAUTIONS are safety messages that indicate a potentially hazardous situation which, if not avoided, could result in minor or moderate injury. A CAUTION may also be used to alert against unsafe practice. CAUTIONS and WARNINGS identify the hazard, indicate how to avoid the hazard, and advise of the probable consequence of not avoiding the hazard. NOTICES are messages to avoid property damage. NOTES are additional information to help you complete a procedure. **PLEASE WORK SAFELY!**



### MOVING PARTS ENTANGLEMENT HAZARD

Failure to observe these instructions could lead to serious injury or death.

- **Always** ensure hook latch is closed and not supporting load.
- **Never** apply load to hook tip or latch. Apply load only to the center of hook.
- **Never** use a hook whose throat opening has increased, or whose tip is bent or twisted.
- **Always** use a hook with a latch.
- **Always** ensure the operator and bystanders are aware of the stability of the vehicle and/or load.
- **Always** keep wired remote control lead and power cord clear of the drum, rope, and rigging. Inspect for cracks, pinches, frayed wires or loose connections. Damaged components must be replaced before operation.
- **Always** pass remote lead thru window when used in vehicle.
- **Never** hook back on rope.



### MOVING PARTS ENTANGLEMENT HAZARD

Failure to observe these instructions could lead to serious injury or death.

#### General Safety:

- **Always** Know Your Winch. Take time to fully read the Instructions and/or Operations Guide, and/or Basic Guide to Winching Techniques, in order to understand your winch and its operations.
- **Never** exceed winch or winch rope rated capacity. Double line using a snatch block to reduce winch load.
- **Always** wear heavy leather gloves when handling winch rope.
- **Never** use winch or winch rope for towing. Shock loads can damage, overload and break rope.
- **Never** use a winch to secure a load.
- **Never** operate this winch when under the influence of drugs, alcohol or medication.
- **Never** operate this winch if you are under 16 years of age.

#### Installation Safety:

- **Always** choose a mounting location that is sufficiently strong to withstand the maximum pulling capacity of your winch.
- **Always** use class 8.8 metric (grade 5) or better hardware.
- **Never** weld mounting bolts.
- **Always** use factory approved mounting hardware, components, and accessories.
- **Never** use bolts that are too long.
- **Always** complete the winch installation and hook attachment before installing the wiring.
- **Always** keep hands clear of winch rope, hook loop, hook and fairlead opening during installation, operation, and when spooling in or out.
- **Always** position fairlead with warning readily visible on top.
- **Always** prestretch rope and respool under load before use. Tightly wound rope reduces chances of "binding", which can damage the rope.

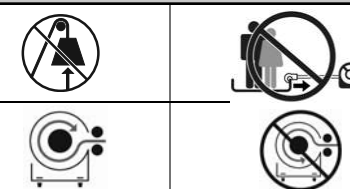


### MOVING PARTS ENTANGLEMENT HAZARD

Failure to observe these instructions could lead to serious injury or death.

#### Winching Safety:

- **Always** inspect winch rope, hook, and slings before operating winch. Frayed, kinked or damaged winch rope must be replaced immediately. Damaged components must be replaced before operation. Protect parts from damage.
- **Always** remove any element or obstacle that may interfere with safe operation of the winch.
- **Always** be certain the anchor you select will withstand the load and the strap or chain will not slip.
- **Always** use supplied hook strap whenever spooling winch rope in or out, during installation and during operation.
- **Always** require operators and bystanders to be aware of vehicle and/or load.
- **Always** be aware of stability of vehicle and load during winching, keep others away. Alert all bystanders of an unstable condition.
- **Always** unspool as much winch rope as possible when rigging. Double line or pick distant anchor point.
- **Always** take time to use appropriate rigging techniques for a winch pull.
- **Never** touch winch rope or hook while someone else is at the control switch or during winching operation.
- **Never** engage or disengage clutch if winch is under load, winch rope is in tension or drum is moving.
- **Never** touch winch rope or hook while under tension or under load.
- **Always** stand clear of winch rope and load and keep others away while winching.
- **Never** use vehicle to pull load on winch rope. Combined load or shock load can damage, overload and break rope.
- **Never** wrap winch rope back onto itself. Use a choker chain or tree trunk protector on the anchor.



### FALLING OR CRUSHING HAZARD

Failure to observe these instructions could lead to serious injury or death.

- **Always** stand clear, keep hands clear, keep others away.
- **Never** operate winch with less than 5 wraps of rope around the drum. Rope could come loose from the drum, as the rope attachment to the drum is not designed to hold a load.
- **Never** use winch as a hoist or to suspend a load.
- **Always** be certain anchor will withstand load, use appropriate rigging and take time to rig correctly.
- **Never** use winch to lift or move persons.
- **Never** use excessive effort to freespool winch rope.
- **Always** use proper posture/lifting technique or get lifting assistance while handling and installing product.
- **Always** wind the winch rope on bottom (mountside) of drum.
- **Never** wind rope over top of drum.
- **Always** spool the winch rope onto the drum in the direction specified by the drum rotation labels on the winch and/or in the documentation. This is required for the automatic brake (if so equipped) to function properly.



### CUT AND BURN HAZARD

Failure to observe these instructions could lead to serious injury or death.

#### To avoid injury to hands and fingers:


- **Always** wear heavy leather gloves when handling winch rope.
- **Always** be aware of possible hot surfaces at winch motor, drum or rope during or after winch use.


 <b>WARNING</b>		
		
		
<b>CHEMICAL AND FIRE HAZARD</b>		
<p>Failure to observe these instructions could lead to serious injury or death.</p> <ul style="list-style-type: none"> <li>• <b>Always</b> remove jewelry and wear eye protection.</li> <li>• <b>Never</b> route electrical cables across sharp edges.</li> <li>• <b>Never</b> route electrical cables near parts that get hot.</li> <li>• <b>Never</b> route electrical cables through or near moving parts.</li> <li>• <b>Always</b> place the supplied terminal boots on wires and terminals as directed by the installation instructions.</li> <li>• <b>Never</b> lean over battery while making connections.</li> <li>• <b>Never</b> route electrical cables over battery terminals.</li> <li>• <b>Never</b> short battery terminals with metal objects.</li> <li>• <b>Always</b> verify area is clear of fuel lines, fuel tank, brake lines, electrical wires, etc., when drilling.</li> <li>• <b>Always</b> consult operator's manual for proper wiring details.</li> <li>• <b>Always</b> insulate and protect all exposed wiring and electrical terminals.</li> </ul>		


 <b>CAUTION</b>	
	
<b>MOVING PARTS ENTANGLEMENT HAZARD</b>	
<p>Failure to observe these instructions could lead to minor or moderate injury.</p> <p><b>To avoid injury to hands or fingers:</b></p> <ul style="list-style-type: none"> <li>• <b>Never</b> leave remote control where it can be activated during free spooling, rigging, or when the winch is not being used.</li> <li>• <b>Never</b> leave the winch remote control plugged in when installing, freespooling, rigging, servicing or when the winch is not being used.</li> </ul>	

<b>NOTICE</b>
<b>AVOID WINCH AND EQUIPMENT DAMAGE</b>
<ul style="list-style-type: none"> <li>• <b>Always</b> avoid side pulls which can pile up winch rope at one end of the drum. This can damage winch rope or winch.</li> <li>• <b>Always</b> ensure the clutch is fully engaged or disengaged.</li> <li>• <b>Always</b> use care to not damage the vehicle frame when anchoring to a vehicle during a winching operation.</li> <li>• <b>Never</b> submerge winch in water.</li> <li>• <b>Always</b> store the remote control in a protected, clean, dry area.</li> </ul>

 <b>CAUTION</b>	
	
<b>CUT AND BURN HAZARD</b>	
<p>Failure to observe these instructions could lead to minor or moderate injury.</p> <ul style="list-style-type: none"> <li>• <b>Never</b> let winch rope slip through your hands.</li> </ul>	

 <b>WARNING</b>
<p><b>Always</b> stand clear, keep hands clear, keep others away.</p>

 <b>WARNING</b>
<p><b>Always</b> require operators and bystanders to be aware of vehicle and/or load.</p>

 <b>CAUTION</b>
<p><b>Never</b> leave remote control where it can be activated during free spooling, rigging, or when the winch is not being used.</p>

<b>NOTICE</b>
<p><b>Never</b> submerge winch in water.</p>

**SAFE WORKING CONDITIONS**

The operator should always operate the winch from a safe position when pulling a load. The safe areas are:

- (1) Perpendicular to the wire rope,
- (2) Inside the vehicle with the hood up (if winch is mounted on front of vehicle). These safe positions will help prevent the wire rope from striking the operator if the wire rope fails when under load.

Operate winch from the fully extended remote control cord length whenever possible. The operator must always be at least 8 ft. (2.44 m) from the winch while operating. This will prevent entanglement with the fairlead and keep the operator out of harms way during winch load pulling.

Never work around the wire rope while under load.

**Sound Emissions**

The winch is designed so that the sound emissions do not exceed 70 dBA from the operator's station. The operator must be at least 8 ft. (2.44 m) from the winch while operating. If the winch is exceeding 70 dBA from the operator's station, have the winch inspected at an authorized service center.

**Cleaning**

Do not direct high pressure water (pressure washers, car washes, etc.) between the drum support and drum flange or clutch lever.

Use low pressure water and a soapy rag or sponge to clean the winch.

Avoid using chemicals that may damage the finish.

Thoroughly clean salt residue from the winch as soon as possible to minimize corrosion.

**Maintenance**

No lubrication is required for the life of the winch unless the winch has been submerged in water. If this occurs, a qualified service center must complete service as soon as possible to prevent corrosion damage. If the control pack is submerged, it must be replaced when the winch is serviced.

Check battery cables and electrical connections at 90 day intervals to be certain they are clean and tight at all connection points.

Inspect the wire rope before and after each winching operation. When damaged, replace with the size specified in the Replacement Parts List, or go to the Warn website at [www.warn.com](http://www.warn.com).

The wire rope must always spool onto the drum as indicated by the drum rotation decal on the winch.

**Instructions For Wire Rope Installation**

Remove the end cap from the drum support and insert the end of the wire rope through the fairlead and through the hole in the drum. Attach the wire rope clamp and pull tight so clamp returns to inside the drum. Secure the winch as stated in the winch mounting instructions.

## MOUNTING

### MOUNTING WINCH

Choose a mounting location that is sufficiently strong enough to withstand the loads you intend to winch. Only the mounting orientation shown are possible for safe winching operation. All others are improper and inappropriate. The use of recommended bolt and lock washer combinations torqued to recommended levels will prevent vibration during operation. The mounting details indicate the proper torque levels.

Remember the winch rope must always spool onto the drum as indicated by the drum rotation decal.

Refer to the following diagrams for proper mounting orientation.

The alignment between the winch gear housing and the winch drum support is of prime importance for the life of your winch. For winches that are not mounted on a factory mounting plate, it is recommended to use a winch mounting bracket as shown below, applying the illustrated hole pattern, hole diameters and tolerances.

1) Place the winch on the mounting plate, align the upper holes in the gear case and drum end support with the upper holes in the mounting plate. Secure loosely with two 7/16" - 14x1-1/2" hex head cap screws with lock washers in the upper holes.

2) Align holes in fairlead with holes in mounting plate and winch. Insert two 7/16" - 14x1-1/2" hex head cap screws with lock washers through fairlead and secure loosely to winch with 7/16" square nuts. (Cavities have been provided in the gear case and drum support for square nuts.) Any deviation from this standard mounting will be shown on the mounting kit installation instructions.

NOTE: Drum end support must be tightened first. Lightly tighten gear side and align with end support. Assure that drum rotates freely with clutch disengaged. If drum binds or does not rotate freely, relocate end support and repeat process. On models without clutch, check for binding after electrical connections are made.

3) Tighten the above cap screws to 45-50 ft. lbs. (61-68Nm) torque. Install

two soft plugs into fairlead holes with hammer. This is an anti-theft device.

### Control Pack Installation

Mount the control pack according to the instructions included in the WARN mounting system kit. Use the bracket included in the kit.

### Mounting Bolt Pattern:

10" x 4.5", 254 mm x 114.3 mm

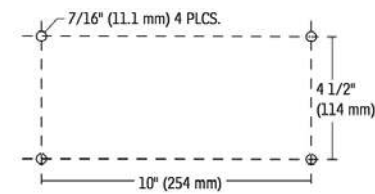
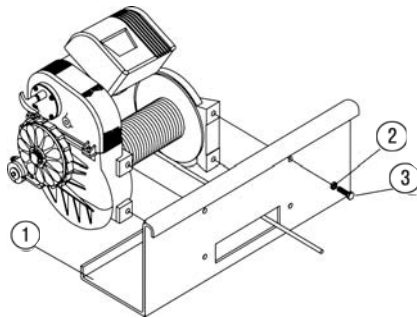


Plate Thickness	Bolt Length
1/4" (7 mm)	1.5" (40 mm)
3/8" (10 mm)	1.5" (40 mm)
1/2" (13 mm)	1.75" (45 mm)

### Mounting Details:

- (1) Smooth and flat, thickness = 1/4" (6.4 mm)
- (2) 7/16" (11.1 mm) lockwasher X 4
- (3) 7/16-14 X 1 1/2" long, grade 5 bolt X 4  
Torque 45-50 ft. lbs. (61-68Nm)



#### ⚠ WARNING

Always choose a mounting location that is sufficiently strong to withstand the maximum pulling capacity of your winch.

#### ⚠ WARNING

Always complete the winch installation and attach the hook before installing the wiring.

#### ⚠ WARNING

Never use bolts that are too long.

## ELECTRICAL CONNECTIONS

#### ⚠ WARNING

Never route electrical cables across sharp edges.

#### ⚠ WARNING

Never route electrical cables near parts that get hot.

#### ⚠ WARNING

Never route electrical cables through or near moving parts.

#### ⚠ WARNING

Always place the supplied terminal boots on wires and terminals as directed by the installation instructions.

#### ⚠ WARNING

Always insulate and protect all exposed wiring and electrical terminals.

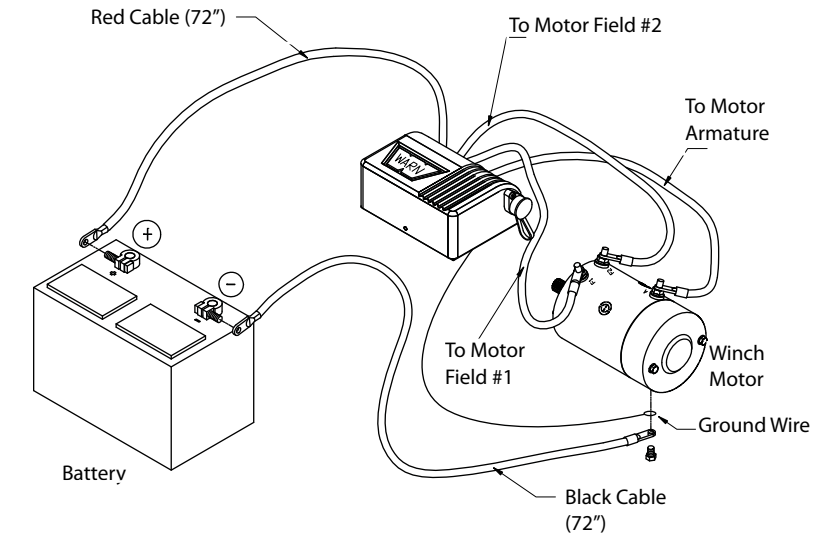
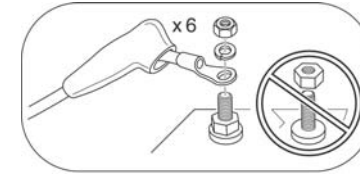
### ELECTRICAL CONNECTIONS

Use the included insulating boots on exposed connections to prevent electrical shorting. Route battery connection cables in areas which will not cause them to chafe or cut through the insulation causing a potential short circuit.

Upon completion of installation, check winch for proper operation.

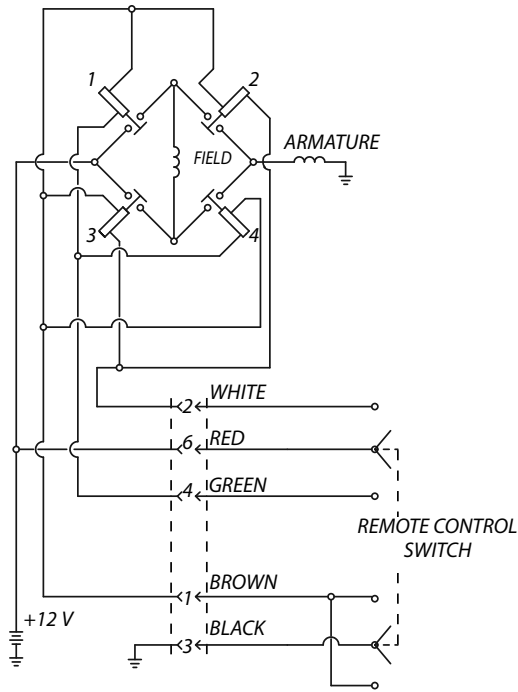
Refer to the electrical circuit diagrams on the following page.

### Electrical Diagrams:

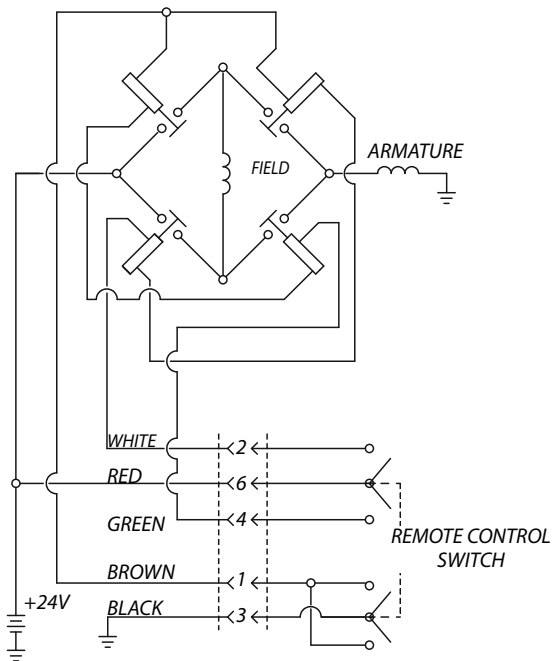


**ELECTRICAL CIRCUIT DIAGRAMS**

12V



24V



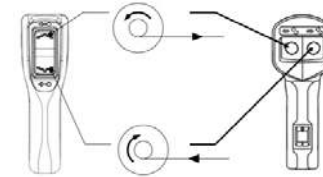
**Remote Control Switch**

**WARNING**

**Always** take time to fully understand your winch and the winching operation by reviewing *The Basic Guide to Winching Techniques* included with your winch.

Do not leave the remote plugged into the winch when not in use. Leaving the remote plugged in, may result in a dangerous condition and/or battery drain.

**Vertical/Horizontal Remote:**



**WARNING**

**Never** engage or disengage clutch if winch is under load, winch rope is in tension or drum is moving.

**Clutch Operation**

When the clutch is engaged, the gear train is coupled to the wire rope drum and power can be transferred from the winch motor. When the clutch is disengaged it is in the freespool position and the gear train and wire rope drum are uncoupled allowing the drum to rotate freely.

The clutch lever, located on the winch housing opposite the motor, controls the clutch position. To prevent damage, always fully engage or fully disengage the clutch lever.

**WARNING**

**Never** operate winch with less than 5 wraps of rope around the drum. Rope could come loose from the drum, as the rope attachment to the drum is not designed to hold a load.

**NOTICE**

Do Not power-out rope more than 30 ft. without allowing the winch to cool for 20 minutes before powering rope back in. Instead, place the clutch in freespool and pull the rope off by hand.

**Spooling Out**

Freespooling is generally the quickest and easiest way to spool out wire rope. Before freespooling wire rope out from the winch, power out enough rope to remove any tension the wire rope might be under. Disengage the clutch. Then freespool by manually spooling out enough wire rope for the winching operation. See *The Basic Guide to Winching Techniques* for more information.

Always leave at least 5 wraps of rope on the drum.

**Spooling In Under Load**

Never exceed winch's rated line pull. Power-in the wire rope evenly and tightly on the drum. This prevents the outer wire wraps from sinking into the inner wraps, binding, and damaging the wire rope.

Avoid shock loads when spooling, by pulsing the control switch to take up wire rope slack. Shock loads can momentarily far exceed the winch and rope ratings.

**Spooling In Under No Load**

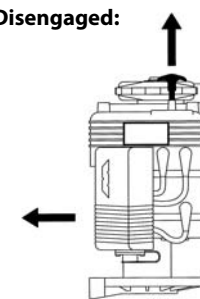
**Spooling with an Assistant:** Have the assistant hold the hook strap putting as much constant tension on the wire rope as possible. While keeping tension, the assistant should walk toward the winch while you operate the control switch spooling in the wire rope. Release the switch when the hook is a minimum of 6 ft. (2 m) from the fairlead opening.

Spool in the remainder for storage as directed below.

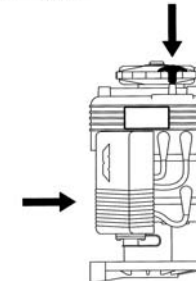
**Spooling Alone:** Arrange the wire rope to be spooled so it will not kink or tangle when spooled. Be sure any wire rope on the drum is tightly and evenly layered. Spool enough wire rope to complete the next full layer on the drum.

Tighten and straighten the layer.

**Disengaged:**



**Engaged:**



## OPERATING INSTRUCTIONS

### Cont.

Repeat process until the hook is a minimum of 6 ft. (2 m) from the fairlead opening.

Spool in the remainder for storage as directed below.

### Spooling Remainder for Storage

When the hook is within 6 ft. (2 m) of the fairlead, disconnect the hook from the anchor or load. Hold onto the supplied hook strap and hold tension on the winch rope. Slowly power-in the winch by “pulsing” the power-in switch on the remote control until the hook is within 3 ft. (1 m) of the fairlead. Stop winching in and attach the hook to a suitable anchor point on the vehicle.

DO NOT POWER THE HOOK INTO THE FAIRLEAD. This could cause damage to the fairlead. Once the hook is suitably attached to the vehicle, power-in the remaining slack in the winch rope by “pulsing” the power-in switch on the remote control until there is minimal slack in the winch wire rope.

### Overloading/Overheating

This winch is rated for intermittent duty. When the motor approaches stall speed, very rapid heat buildup occurs which may cause motor damage.

Double-line rigging (see *The Basic Guide to Winching Techniques*) will reduce the amperage draw, and reduce heat buildup in the motor. This allows longer continual use.

## STRETCHING WIRE ROPE

The life of a wire rope is directly related to the use and care it receives. During its first use, a new wire rope must be spooled onto its drum under a load of at least 1000 lbs. (454 kgs). Use the following instructions to properly stretch the wire rope onto the winch drum.

1) Choose a FLAT AND LEVEL location that is large enough to run out the entire length of wire rope.

2) Turn the clutch lever on the winch to the “Free Spool” position. Spool out the wire rope to the last 5 wraps on the drum. Once the wire rope is spooled out, turn the clutch lever on the winch to the “Engaged” position.

3) Attach the hook end of the rope to a suitable anchor point and back the vehicle away from the anchor point until there is very little slack in the wire rope. Before getting out of the vehicle, set the parking brake, place the vehicle in gear or park and turn the vehicle off.

4) Connect the remote control to the winch. Standing approximately 8 ft. (2.44 m) away from the winch, power-in the winch until all of the slack is wound onto the winch drum. Disconnect the remote control from the winch. Hold tension on the wire rope with one hand; carefully push the wire rope to the side of the drum the wire rope is attached to so there are no gaps between each coil on the drum. Be sure to check that the wire rope is winding off of the bottom of the drum, not the top, or the automatic load holding brake will not function properly. (If the wire rope is winding off the top you have powered the winch “out” instead of “in” on the remote control).

5) The following steps should be done using two people for proper safety. If you attempt to tension your wire rope alone be sure to always

**WARNING**

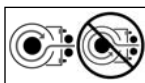
Always keep hands clear of winch rope, hook loop, hook and fairlead opening during installation, operation, and when spooling in or out.

**WARNING**

Never touch winch rope or hook while someone else is at the control switch or during winching operation.

**WARNING**

Always wear heavy leather gloves when handling winch rope.



**WARNING**

Always use supplied hook strap whenever spooling winch rope in or out, during installation or operation to avoid injury to hands and fingers.

## STRETCHING ROPE

### STRETCHING WIRE ROPE Cont.

engage the parking brake, place the transmission in gear and turn the vehicle off every time you exit the vehicle to inspect the winch wire rope. Never exit the vehicle with a load on the winch wire rope. Tensioning the wire rope is critical to ensure a long product life. Tensioning the wire rope will prevent outer layers of wire rope from pinching and deforming the inner layers.

6) Use care to evenly wrap each layer to prevent damage to the rope.

7) Pass the remote control through the driver’s window for the driver of the vehicle to operate. Instruct your assistant to stand to the side of the vehicle and away from the winch wire rope. Your assistant should signal you if the wire rope is winding correctly by watching it move across the fairlead as the wire rope is powered in. Start the vehicle and place the transmission in neutral. Release the parking brake while applying moderate brake pedal pressure. Press power-in on the remote control switch. After winching in for approximately 6 ft. (2 m), stop winching. Slowly let up off of the brake pedal and then apply the parking brake. This will ensure that there is no load on the winch rope. Then place the transmission in park or in gear and turn the vehicle off. Exit the vehicle and inspect the winch to make sure that the wire rope is being evenly wound onto the winch drum and not sinking into the lower layer. If the wire rope is sinking, power the wire rope out and repeat this step from the beginning with more brake pedal pressure.

8) When you are convinced the wire rope is winding onto the winch drum properly, repeat step 6 until the vehicle is within 6 ft. (2 m) of the winch anchor. Once within 6 ft. (2 m), slowly let up off of the brake pedal and then apply the parking brake. This will ensure that there is

no load on the winch wire rope. Then place the transmission in park or in gear and turn the vehicle off. Exit the vehicle. Disconnect the hook from the anchor. While holding onto the supplied hook strap, hold tension on the winch rope and slowly power-in the winch by “pulsing” the power-in switch on the remote control until the hook is within 3 ft. (1 m) of the fairlead. Stop winching in and attach the hook to a suitable anchor point on the vehicle.

DO NOT POWER THE HOOK INTO THE FAIRLEAD. This could cause damage to the fairlead. Once the hook is suitably attached to the vehicle, power-in the remaining slack in the winch rope by “pulsing” the power-in switch on the remote control until there is minimal slack in the winch wire rope.

**WARNING**

Always prestretch rope and respool under load before use. Tightly wound rope reduces chances of “binding”, which can damage the rope.

**WARNING**

Never touch rope or hook while someone else is at the control switch or during winching operation.

**WARNING**

Never operate winch with less than 5 wraps of rope around the drum. Rope could come loose from the drum, as the rope attachment to the drum is not designed to hold a load.





## Guide d'installation du treuil

Chaque situation de treuilage peut potentiellement occasionner des blessures. Afin de minimiser ce risque, il est important de lire attentivement le présent guide ainsi que le manuel de base des techniques de treuilage. Veillez à vous familiariser avec le maniement du treuil avant de l'utiliser et à vous préoccuper avant tout de la sécurité. Nous exposons dans ce guide de nombreuses règles de sécurité fondamentales pour le maniement du treuil. Veuillez lire le manuel de base des techniques de treuilage pour de plus amples informations concernant votre treuil et les techniques adéquates de câblage. N'oubliez pas que, comme chaque situation de treuilage est différente, votre bon sens et votre attachement constant aux principes de sécurité sont d'une importance primordiale.

À titre de référence, veuillez conserver ce manuel et les documents complémentaires qui se trouvent dans ce kit. Vous trouverez dans ce kit la documentation suivante : Le manuel de base des techniques de treuilage, les spécifications techniques, la déclaration de conformité, les informations relatives à la garantie, le guide d'installation du treuil et un guide de l'utilisateur des câbles synthétiques en option. En cas de document manquant, veuillez nous contacter aux numéros ci-dessous ou visiter notre site [www.warn.com](http://www.warn.com).

### TABLE DES MATIÈRES :

#### SÉCURITÉ

Index des symboles .....	14
Mesures générales de sécurité .....	15-17
Conditions de travail sûres .....	18

#### INSTRUCTIONS

Montage du treuil .....	19
Raccordements électriques .....	20-21
Instructions d'utilisation .....	22-23
Étirement initial du câble .....	23-24

Warn Industries Inc.  
12900 SE Capps Road  
Clackamas, OR 97015  
États-Unis

Service à la clientèle : (800) 543-9276  
No. de Fax international : (503) 722-3005  
Télécopie : (503) 722-3000  
[www.warn.com](http://www.warn.com)

Warn® et le logo WARN sont des marques déposées de Warn Industries Inc.  
© 2013 Warn Industries Inc.

## INDEX DES SYMBOLES

SYMBOLE	EXPLICATION	SYMBOLE	EXPLICATION
	Lire tous les documents relatifs au produit		Toujours porter des gants de cuir
	Toujours porter un dispositif de protection auditive et oculaire		Ne pas déplacer des personnes
	Ne jamais utiliser le treuil comme palan		Toujours utiliser la sangle de crochet fournie
	Positionner correctement la charge dans la gorge du crochet		Ne jamais appliquer la charge sur l'extrémité ou le loquet du crochet
	Enrouler le câble sur le dessous du tambour		Ne jamais enrouler le câble sur le dessus du tambour
	Danger d'écrasement des doigts dans le guide-câble		Point de pincement du guide-câble
	Risque de percement/coupure des mains		Risque de surface chaude
	Risque d'explosion/rupture		Risque d'incendie et de brûlure
	Danger en raison d'une arête tranchante		Danger lié à des pièces mobiles
	Éviter les points de pincement et d'usure/abrasion lors de l'installation des câbles électriques		Isoler tous les câbles exposés
			Ne jamais accrocher le câble à lui-même

## Avertissements et mises en garde



Les directives suivantes comprennent des indications intitulées AVERTISSEMENT, ATTENTION, AVIS et REMARQUE. Chacune d'entre elles comporte un objectif bien précis : AVERTISSEMENT présente des consignes de sécurité soulignant un danger potentiel qui, s'il n'est pas évité, peut entraîner des blessures graves ou la mort. ATTENTION comprend des consignes de sécurité signalant un danger potentiel qui, s'il n'est pas évité, peut entraîner des blessures légères ou modérées. ATTENTION sert aussi à signaler une utilisation dangereuse. ATTENTION et AVERTISSEMENT identifient un danger, indiquent comment l'éviter et montrent ses conséquences possibles si on l'ignore. AVIS présente des consignes visant à éviter les dommages matériels. REMARQUE donne des renseignements additionnels qui aident à accomplir une procédure. **TRAVAILLEZ PRUDEMMENT !**

### AVERTISSEMENT



#### DANGER DE HAPPEMENT PAR DES PIÈCES MOBILES

Le non-respect des consignes peut entraîner des blessures graves ou la mort.

- **Toujours** s'assurer que le loquet du crochet est fermé et qu'il ne soutient aucune charge.
- **Ne jamais** appliquer la charge sur l'extrémité ou le loquet du crochet. Appliquer la charge uniquement au centre du crochet.
- **Ne jamais** utiliser un crochet dont l'ouverture de la gorge a augmenté ou dont l'extrémité est courbée ou tordue.
- **Toujours** utiliser un crochet avec loquet.
- **Toujours** s'assurer que l'opérateur et les personnes présentes sont conscients de la stabilité du véhicule et/ou de la charge.
- **Toujours** garder le fil de la télécommande et le cordon d'alimentation à l'écart du tambour, du câble et du câblage. S'assurer qu'il n'y a pas de fissures, de points de pincement, de fils effilochés ou de connexions desserrées. Tous les composants endommagés doivent être remplacés avant d'utiliser le produit.
- **Toujours** faire passer la télécommande par la fenêtre, si on l'utilise de l'intérieur d'un véhicule.
- **Ne jamais** accrocher le câble à lui-même

### AVERTISSEMENT



#### DANGER DE HAPPEMENT PAR DES PIÈCES MOBILES

Le non-respect des consignes peut entraîner des blessures graves ou la mort.

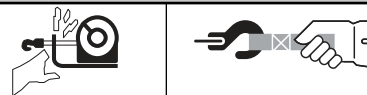
##### Consignes de sécurité générales :

- **Toujours** se familiariser avec le treuil. Prendre le temps de bien lire le manuel d'utilisation, et/ou le manuel de base des techniques de treuillage, afin de comprendre le treuil et son fonctionnement.
- **Ne jamais** excéder la capacité nominale du treuil ou du câble d'acier. Un câblage double avec poulie ouvrante permet de réduire la charge subie par le treuil.
- **Toujours** porter des gants de cuir épais durant la manipulation du câble du treuil.
- **Ne jamais** utiliser le treuil ou le câble du treuil pour faire du remorquage. Cela peut endommager, surcharger et casser le câble.
- **Ne jamais** se servir du treuil pour maintenir une charge.
- **Ne jamais** faire fonctionner l'appareil sous l'effet de drogues, de l'alcool ou de médicaments.
- **Ne jamais** laisser des personnes âgées de moins de 16 ans utiliser ce treuil.

##### Consignes de sécurité se rapportant à l'installation :

- **Toujours** choisir une surface de montage suffisamment résistante pour supporter la capacité de traction maximale du treuil.
- **Toujours** utiliser un matériel de montage de catégorie 8,8 ou supérieure.
- **Ne jamais** souder les boulons de montage.
- **Toujours** utiliser un matériel de montage, des composants et des accessoires homologués par le fabricant.
- **Ne jamais** utiliser des boulons trop longs.
- **Toujours** achever le montage du treuil et la fixation du crochet avant d'effectuer le câblage.
- **Toujours** garder les mains éloignées du câble du treuil, de la boucle du crochet, du crochet et de l'ouverture du guide-câble durant l'installation et l'utilisation de l'appareil et l'enroulement ou le déroulement du câble.
- **Toujours** positionner le guide-câble avec l'avertissement visible sur le dessus.
- **Toujours** étirer au préalable le câble et l'enrouler sous charge avant de l'utiliser. Un câble enroulé de manière serrée réduit le risque qu'il coince et soit endommagé.

### AVERTISSEMENT



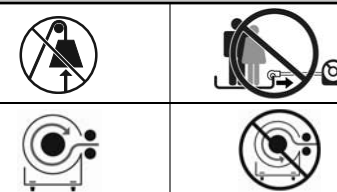
#### DANGER DE HAPPEMENT PAR DES PIÈCES MOBILES

Le non-respect des consignes peut entraîner des blessures graves ou la mort.

##### Consignes de sécurité concernant le treuillage :

- **Toujours** inspecter le câble du treuil, le crochet et les élingues avant de faire fonctionner le treuil. Tout câble de treuil effiloché, tordu ou endommagé doit être remplacé immédiatement. Tous les composants endommagés doivent être remplacés avant d'utiliser le produit. Protéger toutes les pièces contre le risque de dommages.
- **Toujours** s'assurer que tout objet ou obstacle pouvant gêner la bonne utilisation du treuil est écarté.
- **Toujours** s'assurer que le point d'ancrage choisi peut supporter la charge et que la sangle ou la chaîne ne glisse pas.
- **Toujours** utiliser la sangle de crochet fournie pour enrouler ou dérouler le câble du treuil, durant l'installation ou l'utilisation.
- **Toujours** exiger de l'opérateur et des personnes présentes d'être attentifs au véhicule et à la charge.
- **Toujours** être conscient de la stabilité du véhicule et de la charge durant le treuillage. Veiller à ce que personne ne s'approche. Alerter toutes les personnes alentour en cas d'instabilité.
- **Toujours** dérouler autant de câble du treuil que possible avant de procéder au câblage. Utiliser une ligne double ou choisir un point d'ancrage distant.
- **Toujours** prendre le temps d'utiliser des techniques de câblage adaptées avant d'utiliser le treuil pour tirer.
- **Ne jamais** toucher le câble du treuil ou le crochet lorsqu'une autre personne est à l'interrupteur de commande ou durant le fonctionnement du treuil.
- **Ne jamais** essayer d'embrayer ou de débrayer si le treuil est sous charge, si le câble du treuil est en tension ou si le tambour est en train de tourner.
- **Ne jamais** toucher le câble ou le crochet lorsque le câble est tendu ou sous charge.
- **Toujours** se tenir à l'écart du câble du treuil et de la charge durant l'utilisation et ne jamais laisser personne s'approcher.
- **Ne jamais** se servir d'un véhicule pour tirer une charge sur le câble du treuil. La charge combinée ou un choc peut endommager, surcharger et casser le câble.
- **Ne jamais** replier le câble du treuil sur lui-même.
- Utiliser **toujours** une chaîne ou une protection de tronç d'arbre sur le point d'ancrage.

### AVERTISSEMENT



#### DANGER DE CHUTE OU D'ÉCRASEMENT

Le non-respect des consignes peut entraîner des blessures graves ou la mort.

- **Toujours** rester à l'écart, en gardant les mains et les autres personnes à l'écart également.
- **Ne jamais** utiliser le treuil avec moins de 5 spires de câble enroulées autour du tambour, car le câble pourrait se dérouler du tambour, étant donné que l'ancrage du câble n'est pas conçu pour retenir une charge.
- **Ne jamais** utiliser le treuil comme palan ou pour suspendre une charge.
- **Toujours** s'assurer que le point d'ancrage peut supporter la charge, et prendre le temps d'employer des techniques de câblage appropriées.
- **Ne jamais** utiliser le treuil pour soulever ou transporter des personnes.
- **Ne jamais** forcer trop fort pour dérouler le câble du treuil.
- **Toujours** utiliser une posture/technique de levage adéquate ou demander de l'aide lors de la manipulation ou de l'installation du produit.
- **Toujours** enrouler le câble sur le tambour dans le sens spécifié par l'étiquette d'avertissement apposée sur le treuil ou la documentation du treuil. Cela est nécessaire pour que le frein automatique (le cas échéant) fonctionne correctement.
- **Toujours** enrouler le câble du treuil sur le tambour comme indiqué par l'autocollant de rotation du tambour.
- **Toujours** enrouler le câble du treuil sur le dessous (côté support) du treuil.
- **Ne jamais** enrouler le câble sur le dessus du tambour.
- **Toujours** enrouler le câble du treuil sur le tambour dans le sens spécifié par les étiquettes de rotation du tambour apposées sur le treuil et/ou par la documentation du treuil. Cela est nécessaire pour que le frein automatique (le cas échéant) fonctionne correctement.

**AVERTISSEMENT**



**RISQUE DE COUPURE ET DE BRÛLURE**  
**Le non-respect des consignes peut entraîner des blessures graves ou la mort.**  
**Pour éviter de se blesser les mains et les doigts :**

- **Toujours** porter des gants de cuir épais durant la manipulation du câble du treuil.
- **Toujours** penser aux surfaces chaudes au niveau du moteur du treuil, du tambour ou du câble durant ou après l'utilisation du treuil.

**ATTENTION**



**RISQUE DE COUPURE ET DE BRÛLURE**  
**Le non-respect des instructions peut entraîner des blessures mineures ou modérées.**

- **Ne jamais** laisser le câble du treuil glisser dans les mains.

**AVERTISSEMENT**



**RISQUES ASSOCIÉS AUX PRODUITS CHIMIQUES ET RISQUE D'INCENDIE**  
**Le non-respect des consignes peut entraîner des blessures graves ou la mort.**

- **Toujours** retirer les bijoux et porter des lunettes de sécurité.
- **Ne jamais** faire passer les câbles électriques par-dessus des bords tranchants.
- **Ne jamais** faire passer les câbles électriques à proximité de pièces qui s'échauffent.
- **Ne jamais** faire passer les câbles électriques à travers des pièces mobiles ou à proximité.
- **Toujours** placer les capuchons fournis sur les fils et les bornes, conformément aux instructions d'installation.
- **Ne jamais** se pencher au-dessus de la batterie en procédant aux connexions.
- **Ne jamais** faire passer les câbles électriques par-dessus les bornes de la batterie.
- **Ne jamais** court-circuiter les bornes de la batterie avec des objets métalliques.
- **Toujours** s'assurer que la zone ne contient pas de conduites de carburant, de réservoir de carburant, de conduites de frein, de câblage électrique, etc., avant de percer.
- **Toujours** consulter le manuel de l'utilisateur pour les informations correctes de câblage.
- **Toujours** isoler et protéger tous les fils et bornes électriques exposés.

**ATTENTION**



**DANGER DE HAPPEMENT PAR DES PIÈCES MOBILES**  
**Le non-respect des instructions peut entraîner des blessures mineures ou modérées.**

**Pour éviter de se blesser les mains ou les doigts :**

- **Ne jamais** laisser la télécommande dans un emplacement où elle peut être activée durant la mise en roue libre, le câblage ou quand le treuil n'est pas utilisé.
- **Ne jamais** laisser la télécommande du treuil branchée durant l'installation, le déroulement en roue libre, le câblage, l'entretien ou quand le treuil n'est pas utilisé.

**AVIS**

**ÉVITER D'ENDOMMAGER LE TREUIL ET L'ÉQUIPEMENT**

- **Toujours** éviter de tirer sur le côté, ce qui a pour effet d'empiler le câble du treuil sur l'une des extrémités du tambour. Cela peut endommager le câble ou le treuil.
- **Toujours** s'assurer d'avoir complètement embrayé ou complètement débrayé.
- **Toujours** faire attention à ne pas endommager le châssis du véhicule si l'on décide de s'arrimer à un véhicule pour pouvoir travailler avec le treuil.
- **Ne jamais** submerger le treuil dans l'eau.
- **Toujours** ranger la télécommande dans un endroit sûr, propre et sec.

**CONDITIONS DE TRAVAIL SÛRES**

**CONDITIONS DE TRAVAIL SÛRES**  
 Pendant la traction d'une charge, l'opérateur doit toujours faire fonctionner le treuil en se tenant en position sûre. Les emplacements sûrs sont : (1) perpendiculaires au câble, (2) à l'intérieur du véhicule avec le capot relevé (si le treuil est monté à l'avant du véhicule). Ces endroits sûrs permettront d'éviter que le câble ne frappe l'opérateur en cas de rupture sous charge.

Autant que possible, utiliser le treuil avec le câble de la télécommande complètement déployé. Celui-ci doit toujours demeurer à une distance minimale de 2,44 m du treuil pendant son fonctionnement. Cela évite d'être happé par le guide-câble et maintient l'opérateur dans une zone de sécurité durant la traction de la charge.

**Nettoyage**  
 Ne pas diriger un jet d'eau haute pression (laveuses haute pression, lave-auto, etc.) entre le support et le rebord du tambour ou le levier d'embrayage.  
 Nettoyer le treuil à l'aide d'eau sous faible pression et d'une éponge ou d'un chiffon savonneux.  
 Ne pas utiliser de produits chimiques qui pourraient endommager la finition.  
 Nettoyer soigneusement les résidus de sel du treuil le plus vite possible afin de minimiser l'effet de corrosion.

**Maintenance**  
 Le treuil ne nécessite aucune lubrification pendant sa durée de vie, sauf s'il a été immergé dans l'eau. Si cela se produit, faire réaliser une inspection complète par un centre de service dès que possible pour éviter tout dommage dû à la corrosion. Si le coffret de commande est immergé, il doit être remplacé au moment de l'intervention de service sur le treuil.  
 Vérifier les câbles de batterie et les connexions électriques tous les 90 jours pour s'assurer qu'ils sont propres et correctement serrés à tous les points de connexion.  
 Inspecter le câble avant et après chaque utilisation du treuil. S'il est endommagé, le remplacer par un câble de calibre conforme à la liste des pièces de rechange, ou se rendre sur le site Internet Warn à l'adresse [www.warn.com](http://www.warn.com).  
 Le câble doit toujours s'enrouler sur le tambour dans le sens indiqué par l'étiquette de rotation du tambour apposée sur le treuil.

**Instructions D'installation du câble D'acier**  
 Retirer le capuchon d'extrémité du support du tambour et insérer l'extrémité du câble d'acier dans le guide-câble et le trou du tambour. Fixer la pince de câble et bien tirer pour que la pince retourne à l'intérieur du tambour. Fixer le treuil tel qu'indiqué dans les instructions de montage du treuil.

**AVERTISSEMENT**  
**Toujours** rester à l'écart, en gardant les mains et les autres personnes à l'écart également.

**AVERTISSEMENT**  
**Toujours** exiger de l'opérateur et des personnes présentes d'être attentifs au véhicule et à la charge.

**ATTENTION**  
**Ne jamais** laisser la télécommande dans un emplacement où elle peut être activée durant la mise en roue libre, le câblage ou quand le treuil n'est pas utilisé.

**AVIS**  
**Ne jamais** submerger le treuil dans l'eau.

**Niveau de bruit**  
 Ce treuil est conçu de manière à ce que le niveau de bruit émis ne dépasse pas 70 dBA à l'endroit où se trouve le manipulateur. Celui-ci doit demeurer à une distance minimale de 2,44 m du treuil pendant son fonctionnement. Faire inspecter le treuil dans un centre de service agréé si le bruit dépasse 70 dBA au niveau de l'opérateur.

### MONTAGE DU TREUIL

Choisir une surface de montage suffisamment résistante pour supporter les charges qui seront halées. Seules les orientations de montage indiquées sont recommandées pour utiliser le treuil en toute sécurité. Toute autre orientation du treuil est inadaptée et ne doit pas être utilisée. Utiliser les boulons et les rondelles d'arrêt recommandés, ainsi que les couples de serrage recommandés pour éviter les vibrations du treuil pendant son fonctionnement. Les détails de montage indiquent les valeurs de couple adéquates.

N'oubliez pas que le câble du treuil doit toujours s'enrouler sur le tambour dans le sens indiqué par l'étiquette de rotation du tambour.

Se reporter aux schémas suivants pour l'orientation de montage correcte.

L'alignement entre le boîtier d'engrenages du treuil et le support du tambour du treuil est d'une importance capitale pour la durée de vie du treuil. Si le treuil n'est pas monté sur une plaque de montage d'origine, il est conseillé d'utiliser un support de montage de treuil tel qu'indiqué à la page 10, en utilisant la disposition de trous, les diamètres de trous et les tolérances indiqués.

1) Placer le treuil sur la plaque de montage, aligner les trous supérieurs du boîtier d'engrenage et du support de l'extrémité du tambour avec les trous supérieurs de la plaque de montage. Fixer sans serrer à l'aide de deux vis à tête hexagonale 7/16-14x1-1/2 po et de rondelles de blocage dans les trous supérieurs.

2) Aligner les trous du guide-câble avec ceux de la plaque de montage et du treuil. Insérer deux vis à tête hexagonale 7/16-14x1-1/2 po avec rondelles de blocage dans le guide-câble et les visser sans serrer au treuil à l'aide d'écrous carrés 7/16 po. (Le boîtier d'engrenage et le support de tambour comportent des cavités pour les écrous carrés.) Toute déviation par rapport à ce montage standard sera indiquée sur les instructions de montage du kit de montage.

REMARQUE : Serrer l'extrémité du tambour en premier. Serrer légèrement le côté engrenages et aligner avec le support d'extrémité. S'assurer que le tambour tourne librement en mode de débrayage (modèles à embrayage). Si le tambour coince ou ne tourne pas librement, déplacer le support

d'extrémité et répéter la procédure. Sur les modèles sans embrayage, vérifier que rien ne coince une fois les connexions électriques faites.

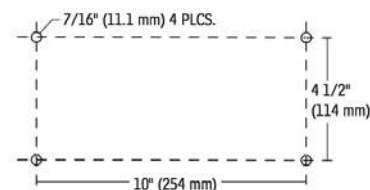
3) Serrer les vis à tête ci-dessus à un couple de serrage de 61 à 68 Nm. Enfoncer deux fiches flexibles dans les trous du guide-câble à l'aide d'un marteau. Il s'agit d'un dispositif antivol.

### Installation du coffret de commande

Monter le coffret de commande suivant les instructions jointes au kit de système de montage Warn. Utiliser la console comprise dans le kit.

### Entraxe de fixation :

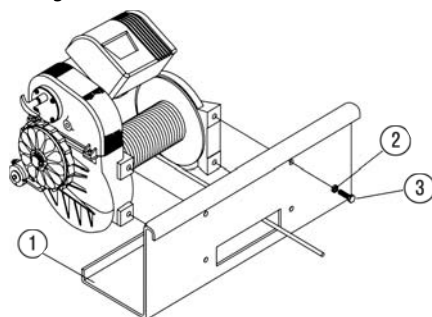
254 mm x 114,3 mm



Épaisseur de plaque	Longueur de boulon
1/4" (7 mm)	1,5" (40 mm)
3/8" (10 mm)	1,5" (40 mm)
1/2" (13 mm)	1,75" (45 mm)

### Détails de montage :

- (1) Lisse et plat, épaisseur = 1/4" (6,4 mm)
- (2) Rondelle d'arrêt 11,1 mm (quantité = 4)
- (3) Boulon catégorie 5 de 7/16 14 x 1 1/2 po de long (quantité = 4), Couple de serrage 61 à 68 Nm



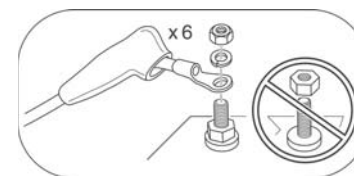
### RACCORDEMENTS ÉLECTRIQUES

Utiliser des capuchons d'isolation inclus sur les connexions exposées pour éviter les courts-circuits. Les fils de batterie doivent passer par des endroits qui ne risquent pas d'endommager ou de percer l'isolation et de créer des risques de court-circuit.

Une fois l'installation terminée, vérifier que le treuil fonctionne correctement.

Consulter le schéma du circuit électrique ci-dessous et les schémas du treuil figurant aux pages suivantes.

### Schémas électriques :



#### ⚠ AVERTISSEMENT

**Toujours** choisir une surface de montage suffisamment résistante pour supporter la capacité de traction maximale du treuil.

#### ⚠ AVERTISSEMENT

**Toujours** achever le montage du treuil et fixer le crochet avant d'effectuer le câblage.

#### ⚠ AVERTISSEMENT

**Ne jamais** utiliser des boulons trop longs.

#### ⚠ AVERTISSEMENT

**Ne jamais** faire passer les câbles électriques par-dessus des bords tranchants.

#### ⚠ AVERTISSEMENT

**Ne jamais** faire passer les câbles électriques à proximité de pièces qui s'échauffent.

#### ⚠ AVERTISSEMENT

**Ne jamais** faire passer les câbles électriques à travers des pièces mobiles ou à proximité.

#### ⚠ AVERTISSEMENT

**Toujours** placer les capuchons fournis sur les fils et les bornes, conformément aux instructions d'installation.

#### ⚠ AVERTISSEMENT

**Toujours** isoler et protéger tous les fils et bornes électriques exposés.

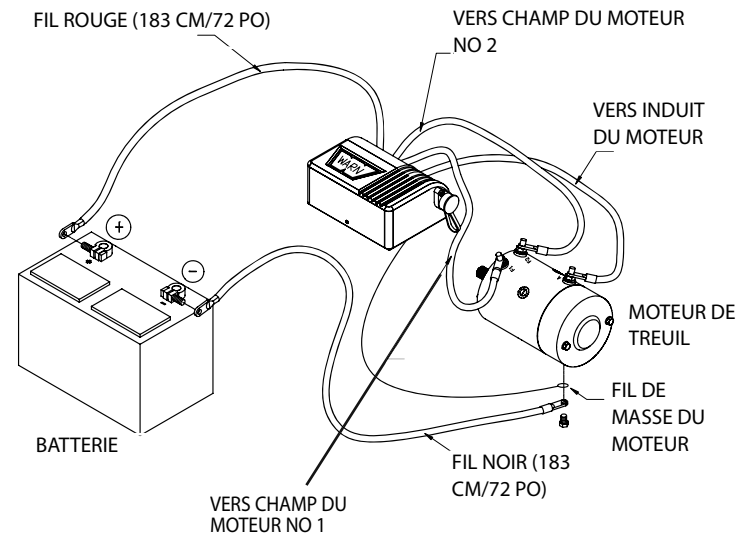
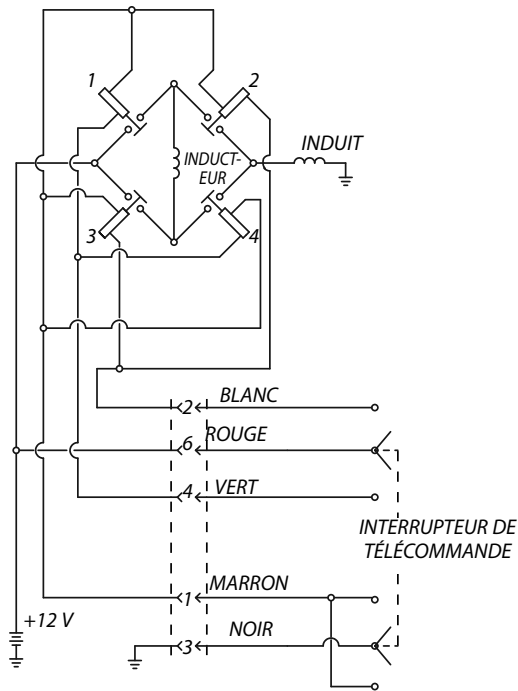
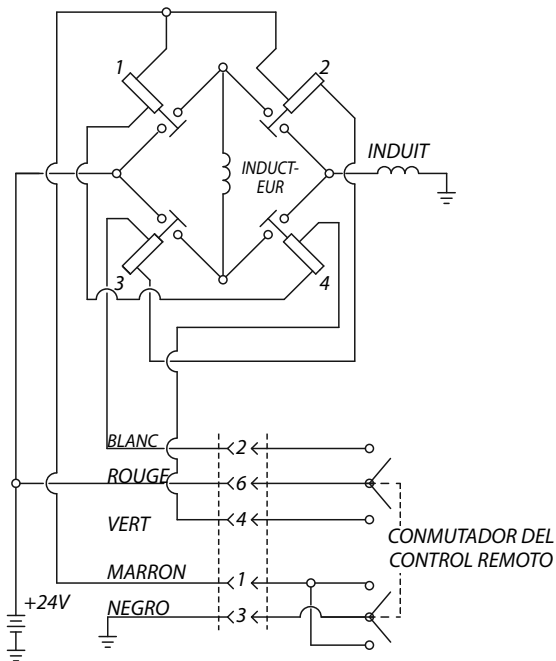


SCHÉMA DES CIRCUITS ÉLECTRIQUES

12V



24V



**AVERTISSEMENT**

**Toujours** prendre le temps de bien se familiariser avec le treuil et son fonctionnement en examinant le Manuel de base des techniques de treuillage inclus avec le treuil.

**AVERTISSEMENT**

**Ne jamais** essayer d'embrayer ou de débrayer si le treuil est sous charge, si le câble du treuil est en tension ou si le tambour est en train de tourner.

**AVERTISSEMENT**

**Ne jamais** utiliser le treuil avec moins de 5 spires de câble enroulées autour du tambour. Le câble pourrait se dérouler du tambour, étant donné que l'ancrage du câble n'est pas conçu pour retenir une charge.

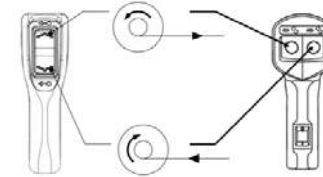
**AVIS**

Ne pas dérouler le câble de plus de 9 m sans laisser refroidir le treuil pendant 20 minutes avant de recommencer l'enroulement. Utiliser plutôt l'embrayage en déroulement libre en tirant le câble à la main.

**Télécommande**

Ne pas laisser la télécommande branchée dans le treuil lorsque celui-ci n'est pas en usage. Une télécommande qui reste branchée risque de créer des conditions dangereuses et de vider la batterie.

**Télécommande verticale/horizontale :**

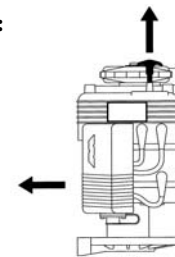


**Fonctionnement de l'embrayage**

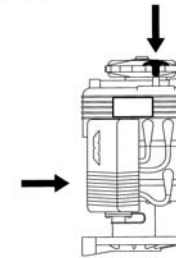
Lorsque l'embrayage est en prise, le train d'engrenages est couplé au tambour du câble et l'entraînement peut alors être transféré du moteur du treuil. Lorsque l'embrayage est débrayé et en position de déroulement en roue libre, le train d'engrenages et le tambour se désaccouplent, ce qui permet au tambour de tourner librement.

Le levier d'embrayage, situé sur le carter du treuil en face du moteur, permet de commander la position de l'embrayage. Pour éviter tout dommage, tourner complètement le levier d'embrayage dans l'une ou l'autre position.

**Libéré :**



**En prise :**



**Déroulement du câble**

Le déroulement en roue libre constitue généralement la façon la plus

rapide et la plus facile de dérouler le câble. Avant de mettre le treuil en roue libre pour dérouler le câble, dérouler au moteur une quantité suffisante de câble pour soulager le câble de toute tension éventuelle. Débrayer. On peut maintenant dérouler manuellement une quantité suffisante de câble pour pouvoir travailler avec le treuil. Voir le manuel de base des techniques de treuillage pour de plus amples informations.

Toujours laisser au moins 5 spires de câble sur le tambour.

**Enroulement sous charge**

Ne jamais dépasser l'effort en 1ère couche du treuil.

Enrouler mécaniquement le câble sur le tambour de manière uniforme et serrée. Cela empêche les spires extérieures de s'enfoncer dans les spires intérieures, ce qui peut coincer et endommager le câble.

Pour éviter les charges de choc durant l'enroulement du câble, actionner l'interrupteur de commande de manière intermittente afin d'éliminer le mou du câble. Les charges de choc peuvent momentanément dépasser de loin la capacité du treuil et du câble du treuil.

**Enroulement à vide**

**Déroulement avec un assistant :** Demander à un assistant de tenir la sangle de crochet en appliquant une tension aussi constante que possible sur le câble. Tout en maintenant la tension, il devra se déplacer en direction du treuil pendant l'actionnement de l'interrupteur de commande pour enrouler le câble. Relâcher l'interrupteur lorsque le crochet parvient à une distance minimum de 2 m de l'ouverture du guide-câble.

Enrouler le reste du câble pour le ranger, de la manière indiquée ci-dessous.

**Déroulement tout seul :** Arranger le câble à enrouler de manière à ce qu'il ne s'entortille ni ne s'emmêle pendant le rembobinage. S'assurer que le câble est enroulé sur le tambour de manière uniforme et serrée. Enrouler une quantité suffisante de câble pour compléter une couche entière sur le tambour.

Serrer et étaler de manière égale la couche de câble.

## INSTRUCTIONS D'UTILISATION

### Suite

Refaire de même jusqu'à ce que le crochet soit à une distance minimum de 2 m de l'ouverture du guide-câble.

Enrouler le reste du câble pour le ranger, de la manière indiquée ci-dessous.

### Enroulement du reste du câble pour le ranger

Lorsque le crochet se trouve à moins de 2 m du guide-câble, détacher le crochet du point d'ancrage ou de la charge. En tenant la sangle de crochet fournie, maintenir la tension sur câble du treuil. Enrouler lentement le treuil en appliquant de petites pressions sur la touche « Power in » (enrouler) de la télécommande jusqu'à ce que le crochet soit à moins de 1 m du guide-câble. Arrêter le treuil et fixer le crochet sur un point d'ancrage approprié sur le véhicule.

**NE PAS LAISSER PAS LE CROCHET ATTEINDRE LE GUIDE-CÂBLE.** Cela pourrait endommager le guide-câble. Une fois le crochet fixé correctement au véhicule, enrouler le câble de façon à éliminer le mou restant en appliquant de petites pressions sur la touche « Power in » (enrouler) de la télécommande jusqu'à ce que le mou soit minime sur le câble du treuil.

### Surcharge/surchauffe

Ce treuil est conçu pour un service intermittent. Lorsque le moteur est sur le point de caler, une accumulation rapide de chaleur se produit et peut endommager le moteur.

Le câblage double (voir le *manuel de base des techniques de treuilage*) permet de réduire le débit en ampères et de réduire ainsi l'accumulation de chaleur dans le moteur. Cela permet une utilisation continue prolongée.

### ÉTIREMENT DU CÂBLE

La durée de vie d'un câble est liée directement à son entretien et à son utilisation. Lors de sa première utilisation, un câble neuf doit être enroulé sur son tambour sous une charge d'au moins 454 kg.

Suivre simplement les directives suivantes pour étirer correctement le câble sur le tambour.

**1)** Choisir un emplacement PLAT ET DE NIVEAU suffisamment grand pour pouvoir dérouler le câble sur toute sa longueur.

**2)** Mettre le levier d'embrayage du treuil en position « Free Spool » (déroulement en roue libre). Dérouler le câble de façon à ne laisser que 5 spires sur le tambour. Une fois le câble déroulé, mettre le levier d'embrayage du treuil en position « Engaged » (en prise).

**3)** Fixer le crochet du câble à un point d'ancrage approprié et éloigner le véhicule du point d'ancrage jusqu'à ce qu'il n'y ait presque plus de mou dans le câble. Avant de descendre du véhicule, serrer le frein à main et mettre le véhicule en prise ou en position de stationnement, puis couper le moteur.

**4)** Brancher la télécommande au treuil. Se tenir à environ 2,44 m du treuil et enrouler le câble sur le tambour du treuil jusqu'à éliminer complètement le mou du câble. Déconnecter la télécommande du treuil. Maintenir le câble tendu d'une main ; pousser avec précaution le câble d'acier vers le côté du tambour auquel le câble est fixé de façon à ce qu'il n'y ait pas d'espace entre les spires sur le tambour. S'assurer que le câble d'acier s'enroule sur le bas du tambour et non sur le haut, sinon le frein de retenue automatique de la charge ne fonctionnera pas correctement. (Si le câble d'acier s'enroule sur le haut, cela signifie que l'on a actionné le treuil en mode de déroulement et non d'enroulement au moyen de la télécommande).

#### ⚠ AVERTISSEMENT

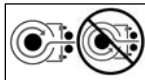
**Toujours** garder les mains éloignées du câble du treuil, de la boucle du crochet, du crochet et de l'ouverture du guide-câble durant l'installation et l'utilisation de l'appareil et l'enroulement ou le déroulement du câble.

#### ⚠ AVERTISSEMENT

**Ne jamais** toucher le câble du treuil ou le crochet lorsqu'une autre personne est à l'interrupteur de commande ou durant le fonctionnement du treuil.

#### ⚠ AVERTISSEMENT

**Toujours** porter des gants de cuir épais durant la manipulation du câble du treuil.



#### ⚠ AVERTISSEMENT

**Toujours** utiliser le cordon du crochet fourni pour enrouler ou dérouler le câble, durant l'installation ou l'utilisation pour éviter de se blesser les mains ou les doigts.

#### ⚠ AVERTISSEMENT

**Toujours** étirer au préalable le câble et l'enrouler sous charge avant de l'utiliser. Un câble enroulé de manière serrée réduit le risque qu'il coince et soit endommagé.

#### ⚠ AVERTISSEMENT

**Ne jamais** toucher le câble ou le crochet lorsqu'une autre personne manipule l'interrupteur de commande ou durant le fonctionnement du treuil.

#### ⚠ AVERTISSEMENT

**Ne jamais** utiliser le treuil avec moins de 5 spires de câble enroulées autour du tambour. Le câble pourrait se dérouler du tambour, étant donné que l'ancrage du câble n'est pas conçu pour retenir une charge.

## ÉTIREMENT DU CÂBLE (suite)

**5)** Par mesure de sécurité, les étapes suivantes devraient être effectuées par deux personnes. Si l'on tente de tendre le câble tout seul, s'assurer de toujours mettre le frein à main, la transmission en prise et d'éteindre le moteur du véhicule chaque fois que l'on descend du véhicule pour inspecter le câble du treuil. Ne jamais quitter le véhicule alors que le câble du treuil porte une charge. Le tensionnement du câble est essentiel pour assurer une longue durée de vie au produit. Le tensionnement du câble empêchera les couches extérieures du câble de pincer et déformer les couches intérieures.

**6)** Prendre soin d'enrouler chaque couche de manière uniforme afin d'éviter d'endommager le câble.

**7)** Faire passer la télécommande par la fenêtre du conducteur afin de l'utiliser. Demander à l'assistant de s'éloigner du véhicule et du câble. L'assistant doit indiquer si le câble s'enroule correctement à mesure qu'il défile sur le guide-câble et s'enroule. Démarrer le véhicule et mettre la transmission au point mort. Desserrer le frein à main tout en appuyant modérément sur la pédale de frein. Appuyer sur la touche « Power in » (enrouler) de la télécommande. Effectuer le treuilage sur environ 2 m, puis arrêter. Relâcher lentement la pédale de frein, puis serrer le frein à main. Cela permet d'assurer qu'il n'y a aucune charge sur le câble. Mettre le levier de vitesse en position de stationnement ou en prise, puis couper le moteur. Descendre du véhicule et inspecter le treuil pour s'assurer que le câble est enroulé uniformément sur le tambour du treuil et qu'il ne creuse pas la couche inférieure. Si c'est le cas, dérouler le câble et répéter cette étape à partir du début en appliquant davantage de pression sur la pédale de frein.

**8)** Après s'être assuré que le câble s'enroule correctement sur le tambour, répéter l'étape six jusqu'à ce que le véhicule soit à moins de 2 m du point d'ancrage. Une fois la distance atteinte, relâcher lentement la pédale de frein puis serrer le frein à main. Cela permet d'assurer qu'il n'y a aucune charge sur le câble. Mettre le levier de vitesse en position de stationnement ou en prise, puis couper le moteur. Descendre du véhicule. Décrocher le crochet du point d'ancrage. Tout en retenant le cordon du crochet fourni, maintenir la tension sur câble et enrouler lentement le treuil par de petites pressions sur l'interrupteur de commande jusqu'à ce que le crochet soit à moins de 1 m du guide-câble. Arrêter le treuilage et fixer le crochet sur un point d'ancrage approprié sur le véhicule.

**NE PAS LAISSER PAS LE CROCHET ATTEINDRE LE GUIDE-CÂBLE.** Cela pourrait endommager le guide-câble. Une fois le crochet fixé correctement au véhicule, enrouler le câble de façon à éliminer le mou restant en appliquant de petites pressions sur la touche « Power in » (enrouler) de la télécommande jusqu'à ce que le mou soit minime sur le câble du treuil.



# Manual de instalación del cabrestante

En cada situación donde se utiliza un cabrestante existe la posibilidad de ocasionar daños personales. Para reducir al mínimo ese riesgo, es importante que lea detenidamente esta guía y la Guía básica de técnicas para el uso del cabrestante. Por favor, familiarícese con la operación del cabrestante antes de usarlo y tenga siempre presente la seguridad. En esta guía se establecen muchas de las reglas de seguridad para el uso del cabrestante. Lea la Guía básica de técnicas para el uso del cabrestante para obtener más información sobre su cabrestante y sobre las técnicas de maniobrado adecuadas. Recuerde que debido a que cada situación en la que se utiliza el cabrestante es diferente, es muy importante el buen juicio y un enfoque constante en la seguridad.

Guarde este manual y demás documentos suministrados con el kit para consultas futuras. Se incluyen los siguientes documentos: Guía básica del cabrestante, Características técnicas, Declaración de conformidad, Información sobre la garantía, Guía para la instalación del cabrestante, Guía del usuario del cable sintético (opcional). A falta de cualquiera de estos documentos, contacte con los siguientes números o visite [www.warn.com](http://www.warn.com).

## ÍNDICE:

### SEGURIDAD

Índice de símbolos .....26  
 Precauciones generales de seguridad ..... 27-29  
 Condiciones de trabajo seguras.....30

### INSTRUCCIONES

Montaje de cabrestante .....31  
 Conexiones eléctricas ..... 32-33  
 Instrucciones de operación ..... 34-35  
 Estiramiento del cable ..... 35-36

Warn Industries Inc.  
 12900 SE Capps Road  
 Clackamas, Oregon 97015  
 EE.UU.

Servicio de atención al cliente: (800) 543-9276  
 Fax internacional: (503) 722-3005  
 Fax: (503) 722-3000  
[www.warn.com](http://www.warn.com)

WARN® y el logotipo de WARN son marcas comerciales registradas de Warn Industries, Inc.  
 © 2013 Warn Industries, Inc.

## ÍNDICE DE SÍMBOLOS

SÍMBOLO	EXPLICACIÓN
	Lea toda la documentación sobre el producto
	Lleve siempre puesta protección ocular y auditiva
	Nunca utilice el cabrestante como si fuese una grúa
	Fije de forma apropiada la carga en la garganta del gancho
	Enrolle el cable en la parte inferior del tambor
	Peligro de aplastamiento de los dedos o de la guía del cable
	Peligro de perforación o corte en las manos
	Peligro de explosión o rotura
	Peligro de borde afilado
	Evite la instalación de cables eléctricos en torno a aristas filosas y puntos abrasivos o desgastadores

SÍMBOLO	EXPLICACIÓN
	Lleve siempre puestos guantes de cuero
	No lo use para desplazar personas
	Use siempre la correa del gancho suministrada
	No aplique nunca una carga a la punta del gancho o al seguro
	Nunca enrolle el cable en la parte superior del tambor
	Punto de pellizco de la guía del cable
	Peligro de superficie caliente
	Peligro de incendio y quemaduras
	Peligros asociados a la presencia de piezas móviles
	Aísle los cableados expuestos
	No enganche nunca el cable sobre sí mismo

**Advertencias y precauciones**



Al leer estas instrucciones, verá ADVERTENCIAS, PRECAUCIONES, AVISOS y NOTAS. Cada mensaje tiene un propósito específico. Las ADVERTENCIAS son mensajes de seguridad que indican que está ante una situación potencialmente peligrosa que, si no se evita, puede resultar en lesiones graves o en la muerte. Las PRECAUCIONES son mensajes de seguridad que indican una situación de posible peligro que, si no se evita, puede resultar en lesiones menores o de baja gravedad. Las PRECAUCIONES pueden alertar también contra prácticas no seguras. Las PRECAUCIONES y ADVERTENCIAS identifican el peligro, indican cómo evitarlo y advierten de las posibles consecuencias si no se evita tal peligro. Los AVISOS son mensajes para evitar daños a la propiedad. Las NOTAS contienen información adicional que le ayudarán a llevar a cabo un procedimiento. **TRABAJE SIEMPRE DE FORMA SEGURA.**

<b>ADVERTENCIA</b>		

**PELIGRO DE ENREDO EN LAS PARTES MÓVILES**  
**De no seguirse estas instrucciones, podrían producirse lesiones graves o incluso la muerte.**

- Verifique **siempre** que el seguro del gancho está cerrado y que no soporta carga.
- **Nunca** aplique una carga a la punta del gancho o al seguro. Aplique la carga únicamente al centro del gancho.
- No utilice **nunca** un gancho cuya abertura haya aumentado o cuya punta esté doblada o retorcida.
- Utilice **siempre** un gancho con seguro.
- Asegúrese **siempre** de que el operador y otras personas sean conscientes de la estabilidad del vehículo y/o de la carga.
- Mantenga **siempre** el cable del control remoto y el cable de alimentación alejados del tambor, del cable y del cordaje. Inspeccione el aparato para comprobar la posible existencia de grietas, pellizcos, cables deshilachados o conexiones sueltas. Los componentes dañados deberán reemplazarse antes de la operación.
- Pase **siempre** el control remoto a través de una ventana cuando lo utilice en un vehículo.
- No enganche **nunca** el cable sobre sí mismo

<b>ADVERTENCIA</b>	

**PELIGRO DE ENREDO EN LAS PARTES MÓVILES**  
**De no seguirse estas instrucciones, podrían producirse lesiones graves o incluso la muerte.**

**Seguridad general:**

- Conozca **siempre** el funcionamiento de su cabrestante. Lea detenidamente las Instrucciones, la Guía de operación y/o la Guía básica de técnicas del cabrestante para comprender el funcionamiento y la manipulación del cabrestante.
- No exceda **nunca** la capacidad nominal del cabrestante ni del cable del cabrestante. Emplee un cable doble con una polea para reducir la carga del cabrestante.
- Lleve puestos **siempre** guantes gruesos de cuero para manipular el cable del cabrestante.
- No use **nunca** el cabrestante o el cable del cabrestante para remolcar. Un golpe a las cargas puede dañar, sobrecargar o romper el cable.
- No utilice **nunca** el cabrestante para amarrar una carga.
- No ponga **nunca** en funcionamiento este cabrestante si se encuentra bajo los efectos de drogas, alcohol o medicamentos.
- **Nunca** utilice este cabrestante si es menor de 16 años de edad.

**Seguridad en la instalación:**

- Elija **siempre** una ubicación de montaje que sea lo suficientemente sólida para soportar la capacidad de carga máxima del cabrestante.
- Utilice **siempre** piezas de grado 5 (grado 8.8 métrico) o superior.
- No suelde **nunca** los pernos de montaje.
- Use **siempre** piezas de montaje, componentes y accesorios aprobados por el fabricante.
- No utilice **nunca** pernos que sean demasiado largos.
- Complete **siempre** la instalación del cabrestante y el acoplamiento del gancho antes de instalar el cableado.
- Mantenga **siempre** las manos alejadas del cable del cabrestante, del bucle del gancho, del gancho y de la abertura de la guía durante la instalación, la operación y en el enrollado y desenrollado.
- Ponga **siempre** la guía del cable con la etiqueta de advertencia visible en la parte superior.
- Realice **siempre** un estiramiento previo del cable y vuelva a enrollarlo con carga antes de usarlo. Un cable bien enrollado reduce las posibilidades de tener "dobles" que puedan dañar el cable.

<b>ADVERTENCIA</b>	

**PELIGRO DE ENREDO EN LAS PARTES MÓVILES**  
**De no seguirse estas instrucciones, podrían producirse lesiones graves o incluso la muerte.**

**Seguridad durante la operación del cabrestante:**

- Inspeccione **siempre** el cable del cabrestante, el gancho y las eslingas antes de poner el cabrestante en funcionamiento. Si el cable del cabrestante está deshilachado, retorcido o dañado, deberá reemplazarse de inmediato. Los componentes dañados deberán reemplazarse antes de la operación. Evite que las piezas resulten dañadas.
- Retire **siempre** cualquier elemento u obstáculo que pueda interferir en la seguridad de la operación del cabrestante.
- Verifique **siempre** que el anclaje seleccionado soportará la carga y que la correa o la cadena no se deslizará.
- Utilice **siempre** la correa del gancho suministrada cuando vaya a enrollar o desenrollar el cable del cabrestante, durante la instalación y durante la operación.
- Haga **siempre** que los operadores y otras personas presentes vigilen el vehículo y/o la carga.
- Tenga **siempre** presente la estabilidad del vehículo y de la carga durante el uso del cabrestante; haga que las personas presentes se mantengan alejadas. Alerta a todas las personas presentes de una posible inestabilidad.
- Desenrolle **siempre** tanto cable del cabrestante como sea posible para el maniobrado. Emplee un cable doble o elija un punto de anclaje distante.
- Tómese **siempre** su tiempo para utilizar técnicas apropiadas de maniobrado cuando utilice el cabrestante.
- No toque **nunca** el cable del cabrestante ni el gancho si hay alguien cerca del interruptor de control, o si el cabrestante está en funcionamiento.
- **Nunca** embraque ni desembrague si el cabrestante está soportando una carga, si el cable está en tensión o si el tambor está en movimiento.
- No toque **nunca** el cable del cabrestante ni el gancho mientras están tensos o con carga.
- Manténgase **siempre** alejado del cable del cabrestante y de la carga, y no deje que otros se acerquen cuando el cabrestante esté en funcionamiento.
- No utilice **nunca** un vehículo para tirar de la carga en el cable del cabrestante. La carga combinada o un golpe en la carga pueden dañar, sobrecargar o romper el cable.
- No enrolle **nunca** el cable del cabrestante sobre sí mismo. Utilice una cadena de estrangulación o un protector de tronco de árbol en el anclaje.

<b>ADVERTENCIA</b>	

**PELIGRO DE CAÍDA O APLASTAMIENTO**  
**De no seguirse estas instrucciones, podrían producirse lesiones graves o incluso la muerte.**

- Manténgase **siempre** alejado y haga que otras personas también lo estén.
- **Nunca** accione el cabrestante si no hay, al menos, 5 vueltas de cable alrededor del tambor. El cable podría soltarse del tambor, ya que el acoplamiento del cable al tambor no está diseñado para aguantar cargas.
- No use **nunca** el cabrestante como grúa o para suspender una carga.
- Compruebe **siempre** que el anclaje soportará la carga. Utilice técnicas de maniobrado adecuadas y tómese tiempo para operar de forma correcta.
- No utilice **nunca** el cabrestante para levantar o desplazar personas.
- No realice **nunca** esfuerzos excesivos para enrollar el cable del cabrestante.
- Utilice **siempre** posturas y técnicas de levantamiento adecuadas o solicite ayuda a la hora de manipular e instalar el producto.
- Enrolle y desenrolle el cable del tambor **siempre** en la dirección especificada en la etiqueta de advertencia del cabrestante o en la documentación. Esto es necesario para el funcionamiento correcto del freno automático (si viene equipado con ello).
- **Siempre** enrolle el cable del cabrestante alrededor del tambor en el sentido indicado por la marca de rotación del cabrestante.
- **Siempre** enrolle el cable del cabrestante en la parte inferior (lado de montaje) del tambor.
- **Nunca** enrolle el cable en la parte superior del tambor.
- **Siempre** enrolle y desenrolle el cable al tambor en la dirección especificada en las etiquetas de rotación del tambor en el cabrestante o en la documentación. Esto es necesario para el funcionamiento correcto del freno automático (si viene equipado con ello).



**ADVERTENCIA**



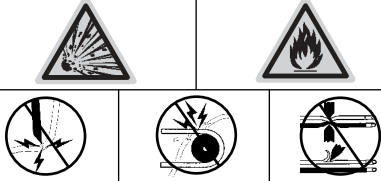
**PELIGRO DE CORTES Y QUEMADURAS**

De no seguirse estas instrucciones, podrían producirse lesiones graves o incluso la muerte.

Para evitar daños en las manos:

- Lleve puestos **siempre** guantes gruesos de cuero para manipular el cable del cabrestante.
- Tenga **siempre** en cuenta que las superficies del motor, del tambor o del cable del cabrestante pueden estar calientes durante o después del uso del mismo.

**ADVERTENCIA**



**PELIGRO DE INCENDIO O POR PRESENCIA DE PRODUCTOS QUÍMICOS**

De no seguirse estas instrucciones, podrían producirse lesiones graves o incluso la muerte.

- Acuérdese **siempre** de quitarse las joyas y utilizar protección ocular.
- No pase **nunca** los cables eléctricos por bordes afilados.
- No pase **nunca** los cables eléctricos cerca de piezas que se calienten.
- No pase **nunca** los cables eléctricos por partes móviles o cerca de ellas.
- Coloque **siempre** las fundas de terminales suministradas en los cables y los terminales, tal como se indica en las instrucciones de instalación.
- No se apoye **nunca** en la batería si está haciendo conexiones.
- No pase **nunca** los cables eléctricos sobre los terminales de la batería.
- No cortocircuite **nunca** los terminales de la batería con objetos metálicos.
- Si va a perforar, verifique **siempre** que en el área no haya tuberías o tanques de combustible, líneas de frenos, cables eléctricos, etc.
- Consulte **siempre** el manual del usuario para obtener detalles de cableado adecuados.
- Aísle y proteja **siempre** los cables y los terminales eléctricos que queden expuestos.

**PRECAUCIÓN**



**PELIGRO DE CORTES Y QUEMADURAS**

Si no observa estas instrucciones, podrían producirse lesiones menores o moderadas.

- Nunca** deje que el cable del cabrestante se deslice por sus manos.

**PRECAUCIÓN**



**PELIGRO DE ENREDO EN LAS PARTES MÓVILES**

Si no observa estas instrucciones, podrían producirse lesiones menores o moderadas.

Para evitar daños en las manos:

- No deje **nunca** el control remoto donde pueda activarse durante el enrollado libre, el maniobrado o cuando el cabrestante no esté en uso.
- No deje **nunca** el control remoto del cabrestante conectado cuando se esté instalando o haciendo enrollado libre, maniobras o mantenimiento ni cuando no se esté utilizando el cabrestante.

**AVISO**

**EVITE DAÑOS AL EQUIPO Y AL CABRESTANTE**

- Evite **siempre** los tirones laterales, ya que pueden apilar el cable del cabrestante en un extremo del tambor. Esto puede dañar el cable del cabrestante o el propio cabrestante.
- Compruebe **siempre** que se ha embragado o desembragado completamente.
- Evite **siempre** dañar la estructura cuando vaya a anclar su vehículo en una operación con el cabrestante.
- No sumerja **nunca** el cabrestante en agua.
- Guarde **siempre** el control remoto en un área protegida, limpia y seca.

**ADVERTENCIA**

Siempre manténgase usted, las manos y a otros alejados.

**ADVERTENCIA**

Requiera **siempre** a los operadores y las personas presentes que estén atentos al vehículo y/o la carga.

**PRECAUCIÓN**

No deje **nunca** el control remoto donde pueda activarse durante el enrollado libre, el maniobrado o cuando el cabrestante no esté en uso.

**AVISO**

No sumerja **nunca** el cabrestante en agua.

**CONDICIONES DE TRABAJO SEGURAS**

Cuando desplace una carga, el operador debe hacerlo siempre desde una posición segura. Las áreas seguras son: (1) perpendiculares al cable de tracción o (2) el interior del vehículo con la capota subida (si el cabrestante está montado delante del vehículo). Estas posiciones seguras ayudan a evitar que el cable alcance al operador si dicho cable no aguanta la carga y se rompe.

Siempre que sea posible, accione el cabrestante desde la longitud total del cable del control remoto. El usuario debe situarse siempre a 2,44 m (8 pies), por lo menos, del cabrestante. Esto evitará que se enganche con la guía y le situará fuera del alcance de cualquier latigazo del cable durante el desplazamiento de la carga.

No trabaje nunca cerca del cable de tracción cuando el cabrestante lleve carga.

**Emisiones acústicas**

El cabrestante está diseñado de tal forma que las emisiones acústicas audibles desde el emplazamiento del operador no superen los 70 dBA. El usuario debe situarse a 2,44 m (8 pies), por lo menos, del cabrestante. Si el cabrestante excede 70 dBA desde el lugar donde se encuentra el usuario, llévelo a un centro de servicio autorizado para ser inspeccionado.

**Limpieza**

No aplicar directamente agua a presión (limpiadores a presión, lavadores de coches, etc.) entre el soporte y el reborde del tambor o la palanca del embrague.

Utilice agua a baja presión y una bayeta o esponja enjabonada para limpiar el cabrestante.

Evite utilizar productos químicos que puedan dañar el acabado.

Limpie totalmente los residuos de sal en el cabrestante, tan pronto como sea posible, para reducir al mínimo la posibilidad de corrosión.

**Mantenimiento**

Nunca será necesario la lubricación del cabrestante a no ser que éste se haya sumergido en agua. Si esto ocurre, se deberá llevar lo antes posible a un centro autorizado de servicio para evitar daños de corrosión. Si sumerge el sistema de control, éste debe ser reemplazado cuando se realice el servicio del cabrestante.

Revise los cables de la batería y las conexiones eléctricas cada 90 días a fin de asegurarse de que estén limpios y bien apretados.

Inspeccione el cable de tiro antes y después de cada operación efectuada con el cabrestante. Cuando se dañe, reemplácelo con el tamaño especificado en la Lista de piezas de repuesto o visite el sitio Web de Warn en [www.warn.com](http://www.warn.com).

El cable debe enrollarse alrededor del tambor en el sentido que indica la marca de rotación que hay en el cabrestante.

**Instrucciones para la instalación del cable**

Retire la tapa extrema del soporte del tambor e inserte el extremo del cable en la guía y a través del agujero del tambor. Monte la abrazadera del cable y tire firmemente de forma que la abrazadera vuelva al interior del tambor. Asegure el cabrestante tal y como se indica en las instrucciones de montaje.

## MONTAJE

### MONTAJE DE CABRESTANTE

Elija un lugar de montaje que sea lo suficientemente resistente como para soportar las cargas que desee desplazar. Para garantizar un funcionamiento seguro del cabrestante, utilice sólo las orientaciones de montaje recomendadas. Cualquier otra orientación de montaje es incorrecta e inadecuada. El uso de las combinaciones recomendadas de arandelas de presión y pernos, aplicando los niveles de apriete recomendados, evita las vibraciones durante el accionamiento. Los detalles del montaje indican los niveles adecuados del par de torsión.

Recuerde que el cable del cabrestante debe enrollarse alrededor del tambor en el sentido indicado por la marca de rotación.

Consulte los diagramas siguientes para obtener orientación adecuada sobre montaje.

El alineamiento entre la caja de engranajes del cabrestante y el soporte del tambor del mismo es de gran importancia para la vida útil del cabrestante. Para cabrestantes que no estén montados en una placa de montaje de fábrica, se recomienda utilizar una abrazadera de montaje para cabrestante como la que aparece en la página 10, aplicando el esquema de taladros, los diámetros de los mismos y las tolerancias que se ilustran.

1) Ponga el cabrestante sobre la placa de montaje, alinee los agujeros superiores en la caja de engranajes y el soporte del extremo del tambor con los orificios superiores de la placa de montaje. Fije sin apretar con dos tornillos de cabeza hexagonal de 7/16-14x1-1/2 pulg. con arandelas de presión en los agujeros superiores.

2) Alinee los agujeros de la guía con los agujeros de la placa de montaje y el cabrestante. Inserte dos tornillos de cabeza hexagonal de 7/16-14x1-1/2 pulg. con las arandelas de presión a través de la guía y fije sin apretar al cabrestante con tuercas cuadradas de 7/16 pulg. (Se han dispuesto cavidades en la caja de engranajes y en el soporte del tambor para las tuercas cuadradas). Cualquier variante de este montaje estándar aparecerá en las instrucciones de instalación del juego de montaje.

NOTA: El soporte del extremo del tambor deberá apretarse primero. Apriete ligeramente el lateral de la caja de engranajes y alinee con el soporte del extremo. Verifique que el tambor

gira libremente con el embrague desembragado (en modelos con embrague). Si el tambor se traba o no gira libremente, vuelva a situar el soporte del extremo y repita el proceso. En modelos sin embrague, compruebe que no haya resistencia una vez que se hayan hecho las conexiones eléctricas.

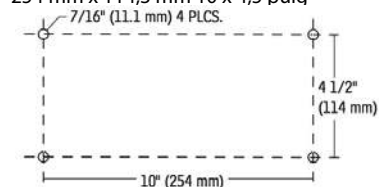
3) Apriete los tornillos de casquete superiores con un par de giro de 61-68 Nm (50-55 pies libras) Ponga dos tapones blandos en los agujeros de la guía con un martillo. Este es un dispositivo antirrobo.

### Instalación del paquete de control

El montaje del paquete de control se debe realizar de acuerdo a las instrucciones incluidas en el conjunto del sistema de montaje de WARN. Utilice el soporte que se incluye en el paquete.

### Patrón de los pernos de montaje:

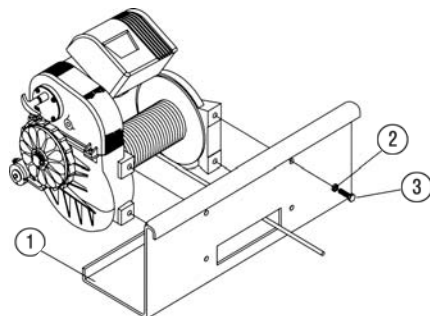
254 mm x 114,3 mm 10 x 4,5 pulg



Grosor de la placa	Longitud del perno
7 mm (1/4 pulg.)	40 mm (1,5 pulg.)
10 mm (3/8 pulg.)	40 mm (1,5 pulg.)
13 mm (1/2 pulg.)	45 mm (1,75 pulg.)

### Detalles de montaje:

- (1) Suave y llana, grosor = 6,4 mm (1/4 pulg.)
- (2) 7/16 de pulgada (11,1 mm) arandela de bloqueo X 4
- (3) 7/16-14 X 1 1/2 de pulgadas de largo, perno de calibre 5 X 4 par de torsión 50-55 pies libras (61-68 Nm).



### ADVERTENCIA

Elija **siempre** una ubicación de montaje que sea lo suficientemente sólida para soportar la capacidad de carga máxima del cabrestante.

### ADVERTENCIA

Complete **siempre** la instalación del cabrestante y el acoplamiento del gancho antes de instalar el cableado.

### ADVERTENCIA

No utilice **nunca** pernos que sean demasiado largos.

## CONEXIONES ELÉCTRICAS

### ADVERTENCIA

No pase **nunca** los cables eléctricos por bordes afilados.

### ADVERTENCIA

No pase **nunca** los cables eléctricos cerca de piezas que se calienten.

### ADVERTENCIA

No pase **nunca** los cables eléctricos por partes móviles o cerca de ellas.

### ADVERTENCIA

Coloque **siempre** las fundas de terminales suministradas en los cables y los terminales, tal como se indica en las instrucciones de instalación.

### ADVERTENCIA

Aísle y proteja **siempre** los cables y los terminales eléctricos que queden expuestos.

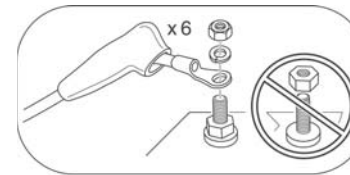
### CONEXIONES ELÉCTRICAS

Utilice los manguitos aislantes provistos en las conexiones expuestas a fin de evitar cortocircuitos. No instale los cables de la batería donde puedan desgastarse debido al roce o sufrir cortes en el material aislante produciéndose así un cortocircuito.

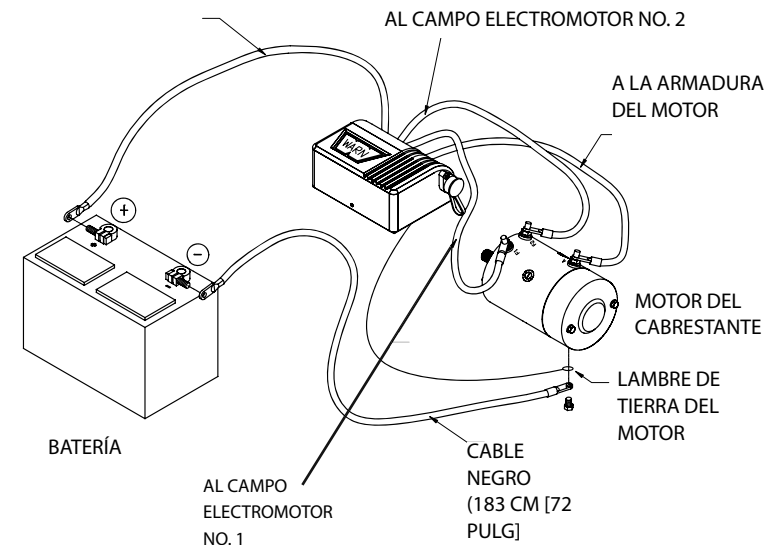
Cuando haya finalizado la instalación, compruebe si el cabrestante funciona correctamente.

Veal el diagrama siguiente del circuito eléctrico y los del cabrestante en las siguientes páginas.

### Diagramas eléctricos:

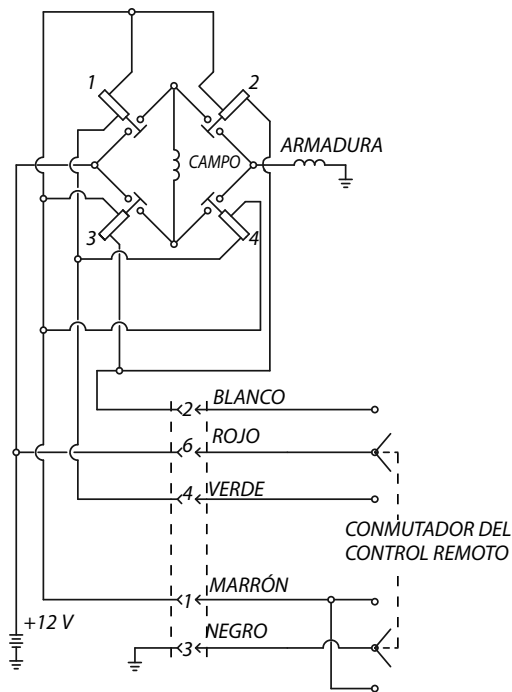


CABLE ROJO (183 CM [72 PULG])

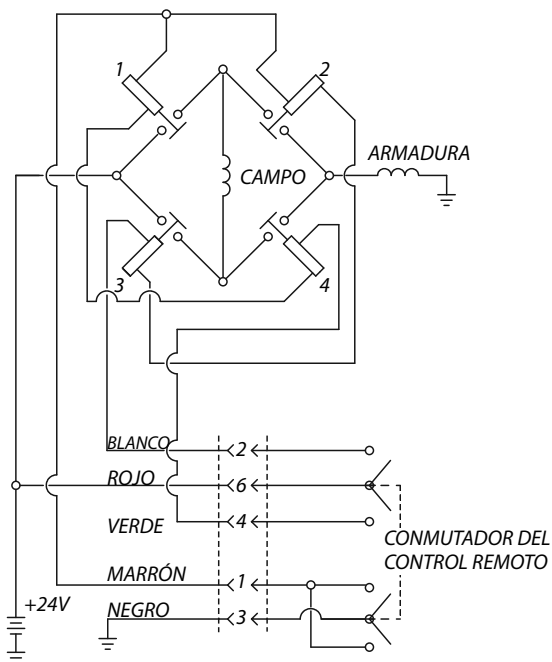


ESQUEMA DEL CIRCUITO ELÉCTRICO

12V



24V



ADVERTENCIA

**Siempre** tómese su tiempo para comprender completamente el cabrestante y su funcionamiento revisando la Guía básica de técnicas de uso del cabrestante que viene con el mismo.

ADVERTENCIA

**Nunca** embrague ni desembrague si el cabrestante está soportando una carga, si el cable está en tensión o si el tambor está en movimiento.

ADVERTENCIA

**Nunca** accione el cabrestante si no hay, al menos, 5 vueltas de cable alrededor del tambor. El cable podría soltarse del tambor, ya que el acoplamiento del cable al tambor no está construido para aguantar cargas.

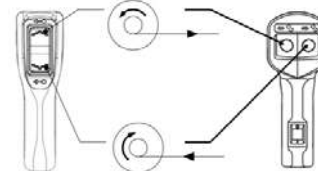
AVISO

No desenrolle el cable más de 9 metros sin dejar que el cabrestante se enfríe durante 20 minutos antes de volver a enrollar el cable. En su lugar, coloque el embrague en posición de enrollado libre y tire del cable a mano.

Interruptor del control remoto

No deje el control remoto conectado al cabrestante cuando no se esté utilizando. El dejar el control enchufado puede producir una situación peligrosa o desgastar la batería.

Control remoto vertical/horizontal:



Accionamiento del embrague

Cuando el embrague está activado, el sistema de engranajes se acopla al tambor del cable y, en estas condiciones, puede transferirse movimiento desde el motor del cabrestante. Cuando el embrague está desembragado se encuentra en posición de enrollado libre y el sistema de engranajes y el tambor del cable están desengranados, lo que permite que el tambor gire libremente.

La palanca del embrague, ubicada en la cubierta del cabrestante, enfrente del motor, controla la posición del embrague. Para evitar daños, engrane y desengrane siempre completamente la palanca del embrague.

Desenrollado

Generalmente, el desenrollado manual es la forma más rápida y sencilla de desenrollar el cable. Antes de proceder al desenrollado manual, saque suficiente cable a fin de eliminar cualquier tensión a la que pueda estar sometido el mismo. Quite el embrague. A continuación, proceda al desenrollado manual, sacando manualmente suficiente cable para la operación. Consulte la *Guía básica de técnicas para el uso del cabrestante* para obtener más información.

Deje siempre al menos 5 vueltas de cable alrededor del tambor.

Desenrollado bajo carga

No exceda nunca los límites de tracción del cable del cabrestante.

Enrolle el cable uniformemente y bien tensado alrededor del tambor. Esto evita que las vueltas más externas del cable se hundan en las vueltas internas; asimismo, evita atascamientos y daños al cable.

Evite las sacudidas de la carga cuando esté enrollando; para ello, pulse el interruptor de control a fin de tensar y hacer entrar las porciones del cable que puedan quedar flojas. Las sacudidas de la carga pueden hacer sobrepasar momentáneamente la capacidad nominal del cabrestante y del cable.

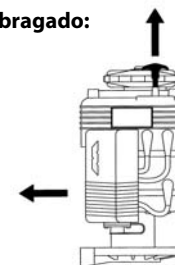
Desenrollado sin carga

*Enrollado o desenrollado con un ayudante:* pida al ayudante que sujete la correa del gancho tensando el cable de forma constante y tanto como sea posible. Manteniendo tenso el cable, el ayudante debe caminar hacia el cabrestante mientras usted acciona el interruptor de control para enrollar el cable. Suelte el interruptor cuando el gancho esté a una distancia mínima de 2 m (6 pies) de la abertura de la guía.

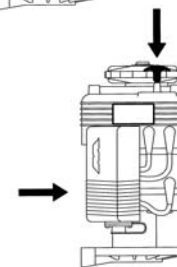
Luego, enrolle la parte final del cable para almacenarlo tal como se indica a continuación.

*Enrollado o desenrollado solo:* disponga el cable de forma que no se doble ni se trabe al enrollarlo.

Desembragado:



Embragado:



## INSTRUCCIONES DE OPERACIÓN Cont.

Asegúrese de que el cable ya enrollado alrededor del tambor esté bien tenso y dispuesto en capas uniformes. Enrolle suficiente cable como para formar la siguiente capa completa en el tambor. Tense y enderece la capa. Repita el proceso hasta que el gancho quede a una distancia mínima de 2 m (6 pies) de la abertura de la guía.

Luego, enrolle la parte final del cable para almacenarlo tal como se indica a continuación.

## Enrollado del resto para el almacenamiento

Cuando el gancho se encuentre a 2 m (6 pies) de la guía, desconéctelo del punto de anclaje o carga. Sostenga la correa del gancho (incluida en el producto) y mantenga la tensión en el cable del cabrestante. Enrolle el cabrestante lentamente pulsando el botón de enrollado en el control remoto hasta que el gancho se encuentre a 1 metro (3 pies) de la guía. Pare de enrollarlo y enganche el gancho al punto de anclaje apropiado en el vehículo.

**NO PERMITA QUE EL GANCHO TOQUE LA GUIA.** Esto podría causar daños a la guía. Una vez que el gancho esté bien acoplado al vehículo, enrolle el resto del cable suelto pulsando el interruptor de enrollado en el control remoto hasta que haya una holgura mínima en el cable.

## Sobrecarga/sobrecalentamiento

El cabrestante está indicado para un servicio intermitente. Cuando el motor se aproxima a la velocidad crítica, se genera calor muy rápidamente, lo que puede ocasionar daños al motor.

El maniobrado con línea de doble cable (véase la *Guía básica de técnicas para el uso del cabrestante*) reduce el amperaje de consumo y el recalentamiento del motor. Esto permite un uso continuo más prolongado.

## TENSIÓN DEL CABLE

La vida útil del cable está directamente relacionada con la forma en que se utiliza y se cuida. Durante su primer uso, un cable nuevo debe enrollarse en el tambor bajo una carga de, por lo menos, 454 kg (1000 lbs). Siga las instrucciones siguientes para tensar el cable correctamente en el tambor del cabrestante.

**1) Escoja una superficie PLANA Y PAREJA** que sea lo suficientemente amplia como para poder extender todo el cable.

**2) Gire la palanca del embrague del cabrestante hacia la posición "Free Spool" (enrollado libre).** Desenrolle el cable del tambor hasta las últimas 5 vueltas. Una vez desenrollado el cable, ponga la palanca del embrague del cabrestante en la posición "Engaged" (embragado).

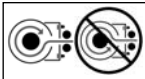
**3) Acople el extremo del cable con gancho a un punto de anclaje apropiado y aleje el vehículo de tal punto hasta que quede muy poco cable suelto.** Antes de salir del vehículo, ponga el freno de mano, deje una velocidad puesta o en aparcado (vehículos automáticos) y apague el vehículo.

**4) Conecte el control remoto al cabrestante.** Desde una distancia de aproximadamente 2,44 metros (8 pies) del cabrestante, enrolle el cable hasta que se halla enrollado todo el cable suelto en el tambor del cabrestante. Desconecte el control remoto del cabrestante. Mantenga la tensión en el cable con una mano; empuje cuidadosamente el cable hacia el lado del tambor al que esté enganchado, de forma que no haya espacios libres en el tambor entre cada vuelta.

**ADVERTENCIA**  
Mantenga **siempre** las manos alejadas del cable del cabrestante, del bucle del gancho, del gancho y de la abertura de la guía durante la instalación, la operación, y en el enrollado y desenrollado.

**ADVERTENCIA**  
No toque **nunca** el cable del cabrestante ni el gancho si hay alguien cerca del interruptor de control, o si el cabrestante está en funcionamiento.

**ADVERTENCIA**  
Lleve puestos **siempre** guantes gruesos de cuero para manipular el cable del cabrestante.



**ADVERTENCIA**  
Use **siempre** la correa del gancho suministrada cuando vaya a enrollar o desenrollar el cable del cabrestante o durante la instalación o la operación para evitar daños en las manos.

## TENSIÓN DEL CABLE cont.

Verifique que el cable se enrolle en la parte inferior del tambor y no en la superior, ya que, en caso contrario, el freno de carga automático no funcionará correctamente (si el cable se enrolla en la parte superior, habrá desenrollado el cabrestante en lugar de enrollarlo con el control remoto).

**5) Para una mayor seguridad, dos personas deberán realizar los pasos siguientes.** Si trata de tensar el cable usted solo, verifique siempre que el freno de mano esté puesto, deje una marcha puesta y apague el vehículo cada vez que lo abandone para inspeccionar el cable del cabrestante. No salga nunca del vehículo con una carga aplicada al cable. Tensar el cable es fundamental para garantizar una larga vida útil del mismo. Al tensarse el cable, se evitará que sus capas exteriores pellizquen o deformen las capas interiores.

**6) Procure enrollar cada vuelta de forma pareja para evitar daños al cable.**

**7) Pase el control remoto a través de la ventanilla del conductor para que pueda usarlo el conductor del vehículo.** Pida a su ayudante que se ubique en la parte lateral del vehículo, alejado del cable del cabrestante. Él deberá indicarle si el cable se está enrollando correctamente al verlo pasar por la guía. Arranque el vehículo y ponga la transmisión en punto muerto. Suelte el freno de mano mientras presiona moderadamente el pedal del freno. Pulse el botón de enrollar en el control remoto. Después de enrollar aproximadamente 2 metros (6 pies) de cable, pare el enrollado. Lentamente deje de presionar el pedal del freno para aplicar el freno de mano. Esto asegurará que no haya carga en el cable del cabrestante. A continuación, ponga la transmisión en aparcado (vehículos automáticos) o ponga una velocidad con la palanca de cambios y apague el vehículo. Salga del vehículo y asegúrese de que el cable del cabrestante esté

enrollándose de forma pareja en el tambor y no hundiéndose en la capa inferior. Si el cable se está hundiendo, desenróllelo y repita este paso desde el principio con más presión en el pedal del freno.

**8) Cuando esté convencido de que el cable está enrollándose correctamente en el tambor, repita el paso 6 hasta que el vehículo se encuentre a 2 metros (6 pies) del anclaje del cabrestante.** Una vez que esté a 2 metros (6 pies), deje de presionar el pedal del freno lentamente para utilizar el freno de mano. Esto asegurará que no haya carga en el cable del cabrestante. A continuación, ponga la transmisión en aparcado (vehículos automáticos) o ponga una velocidad con la palanca de cambios y apague el vehículo. Salga del vehículo. Desenganche el gancho del punto de anclaje. Mientras que sostiene la correa del gancho (incluida en el producto), mantenga la tensión en el cable del cabrestante y enróllelo lentamente pulsando el interruptor de enrollado en el control remoto hasta que el gancho se encuentre a 1 metro (3 pies) de la guía. Pare de enrollarlo y enganche el gancho al punto de anclaje apropiado en el vehículo.

**NO PERMITA QUE EL GANCHO TOQUE LA GUIA.** Esto podría causar daños a la guía. Una vez que el gancho esté bien acoplado al vehículo, enrolle el resto del cable suelto pulsando el interruptor de enrollado en el control remoto hasta que haya una holgura mínima en el cable.

**ADVERTENCIA**  
Realice **siempre** un estiramiento previo del cable y vuelva a enrollarlo con carga antes de usarlo. Un cable bien enrollado reduce las posibilidades de tener "dobles" que puedan dañar el cable.

**ADVERTENCIA**  
No toque **nunca** el cable ni el gancho si hay alguien cerca del interruptor de control, o si el cabrestante está en funcionamiento.

**ADVERTENCIA**  
**Nunca** accione el cabrestante si no hay, al menos, 5 vueltas de cable alrededor del tambor. El cable podría soltarse del tambor, ya que el acoplamiento del cable al tambor no está construido para aguantar cargas.