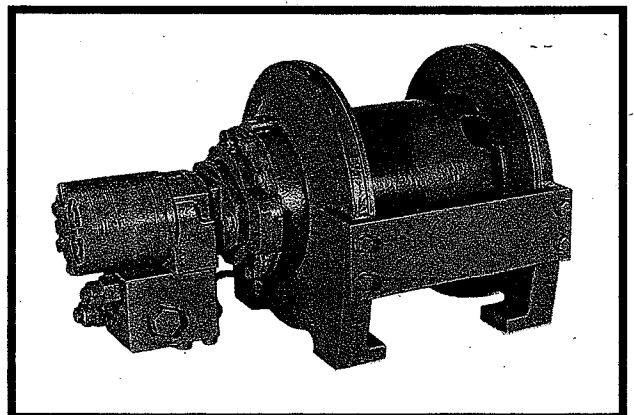


# MATERIAL LIST

BRADEN  
**BG4A**



---

**PACCAR WINCH DIVISIONS**

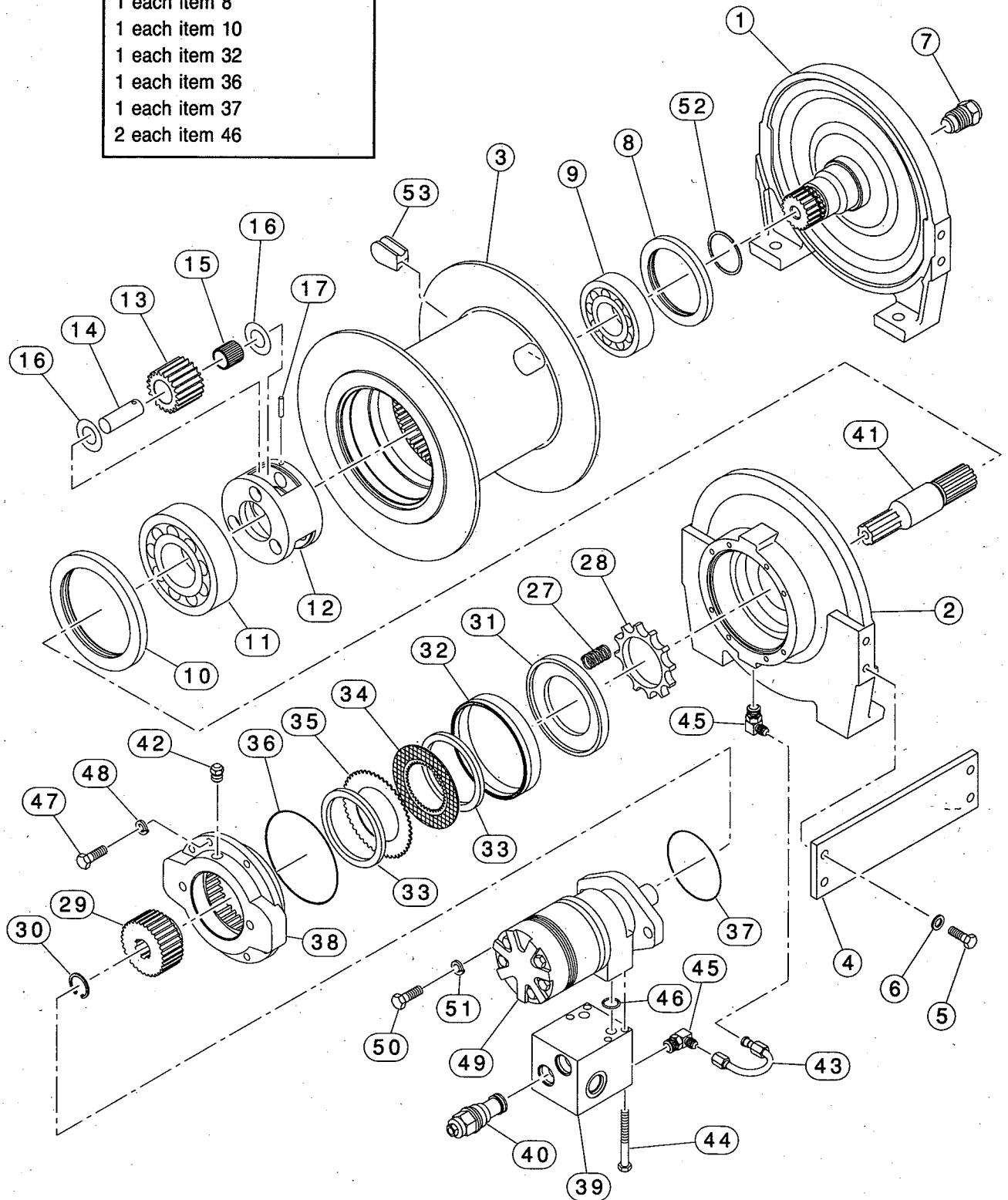
# BRADEN BG4A COMPONENTS

## BG4A SEAL KIT

PART NO. 62605

Contains the following items:

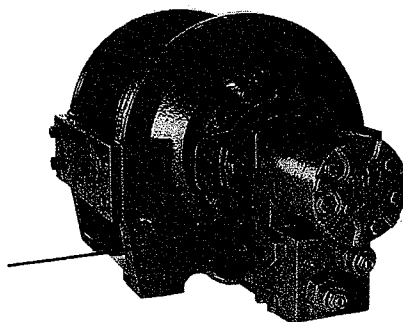
- 1 each item 8
- 1 each item 10
- 1 each item 32
- 1 each item 36
- 1 each item 37
- 2 each item 46



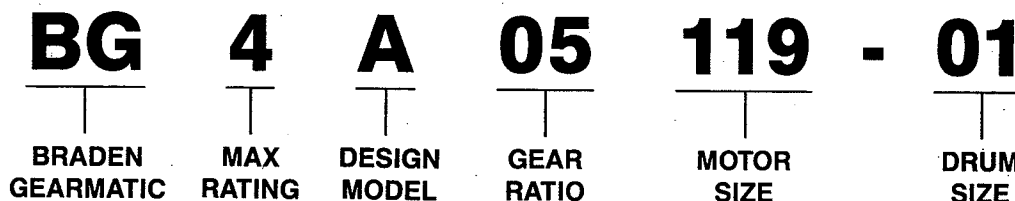
## BG4A MATERIAL LIST

ITEM NO.	PART NO.	DESCRIPTION	QTY.
1	29962	BEARING SUPPORT ENDPLATE	1
2	29933	BRAKE CYLINDER ENDPLATE	1
3	29960	CABLE DRUM	1
4	29983	TIEPLATE	2
5	21961	CAPSCREW	8
6	18003	LOCKWASHER	8
7	26705	SIGHT GAUGE	1
8	25582	OIL SEAL	1
9	25917	BALL BEARING	1
10	25918	OIL SEAL	1
11	26998	BALL BEARING	1
12	100130	OUTPUT PLANET CARRIER	1
13	100001	OUTPUT PLANET GEAR	3
14	26993	OUTPUT PLANET GEAR SHAFT	3
15	27717	ROLLER BEARING	3
16	27718	THRUST RACE	6
17	22824	ROLLPIN	3
27	26094	SPRING	8
28	100136	SPRING LOCATOR	1
29	29929	BRAKE COUPLING	1
30	27535	SNAP RING	1
31	25552	SPRING PLATE	1
32	25594	BRAKE PISTON SEAL	1
33	25550	BRAKE PLATE SPACER	2
34	25541	FRICTION DISC	8
35	25540	STEEL DISC	9
36	70138	O-RING	1
37	25727	O-RING	1
38	100129	MOTOR ADAPTER	1
39	40045	BRAKE VALVE BLOCK	1
40	27258	COUNTERBALANCE VALVE CARTRIDGE	2
41	29928	SUN GEAR	1
42	18062	VENT PLUG	1
43	29984	TUBE ASSEMBLY	1
44	27622	CAPSCREW	4
45	25302	ELBOW FITTING	2
46	12273	O-RING	2
47	11767	CAPSCREW	8
48	11024	LOCKWASHER	8
49	100138	HYDRAULIC MOTOR	1
50	13938	CAPSCREW	2
51	11026	LOCKWASHER	2
52	12034	SNAP RING	1
53	26095	CABLE WEDGE	1

Model Number and Serial Number are stamped into a plate on the brake cylinder end plate, below and to the left of the motor. Always refer to the Model Number and Serial Number when requesting information or ordering service parts.



## EXPLANATION OF MODEL NUMBER



- BG** DESIGNATES BRADEN GEARMATIC
- 4** DESIGNATES 4,000 lb (1,810 kg) FIRST LAYER LINE PULL
- A** DESIGNATES THE MODEL SERIES RELATING TO DESIGN CHANGES
- 05** DESIGNATES TOTAL GEAR REDUCTION
- 119** DESIGNATES HYDRAULIC MOTOR DISPLACEMENT IN CU IN/REV  
DECIMAL POINT ELIMINATED (119 = 11.9 cu in./rev [195 cu cm])
- 01** DESIGNATES THE DRUM

### TO ORDER —

- (1) List model and serial numbers of the winch.
- (2) Refer to exploded view and select the component(s) needed and note item number.
- (3) Find item number on material list, show part number, description and quantity required on your order.
- (4) Refer to Parts Price list and show price for each component or assembly.

### RECOMMENDED PLANETARY GEAR OIL

For simplicity, BRADEN has listed one (1) readily available product in each temperature range which has been tested and found to meet our specifications. This is not to say that other lubricant brands would not perform equally as well.

If the following lubricant brands are not available in your area, make certain your lubricant vendor supplies you with oil that is equivalent to those products listed below.

BRADEN planetary winches are factory filled with Texaco Meropa 150 gear oil or equivalent industrial grade gear lubricant meeting AGMA 4EP or API GL-2 with ISO viscosity grade 150. If there is still any doubt as to the suitability of a lubricant, contact the BRADEN Service Department, providing a copy of the product specification.

