

# Chelsea® 863 Series

One Speed Forward and Reverse  
Mechanical P.T.O.



## Overview:

The Chelsea 863 Series P.T.O. is another example of why Chelsea P.T.O. technology is the best in the business. This heavy duty workhorse features a cast iron housing and heavy duty ball bearing on the output shaft, giving it a high torque rating and long service life. Torque rating up to 500 Lbs. ft. make this one versatile P.T.O. Take advantage of over 65 years of Chelsea P.T.O. technology to increase performance and lower costs.

- Oil Field
- Logging



## Product Features and Benefits:

### Contact Information:

Parker Hannifin Corporation  
**Chelsea Products Division**  
8225 Hacks Cross Road  
Olive Branch, MS 38654 USA

**Phone: 1-888-PH4-TRUK**  
**(1-888-744-8785)**

**Fax: 1-662-895-1069**  
**chelseacustserv@parker.com**

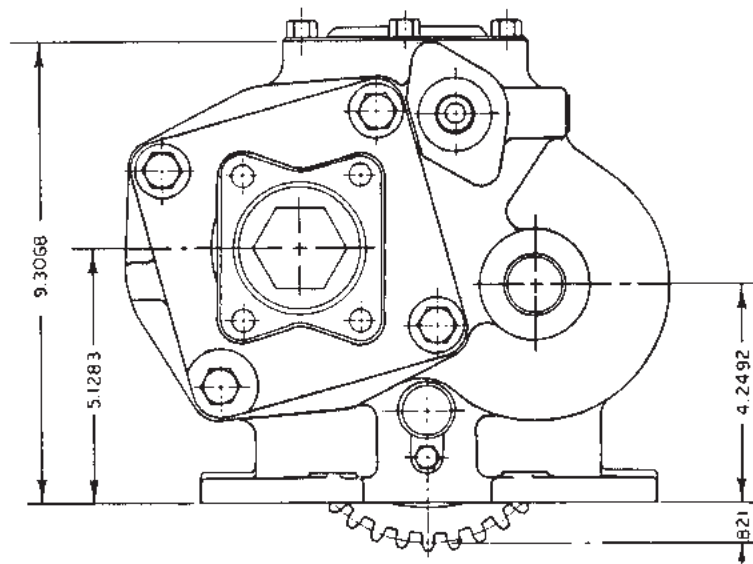
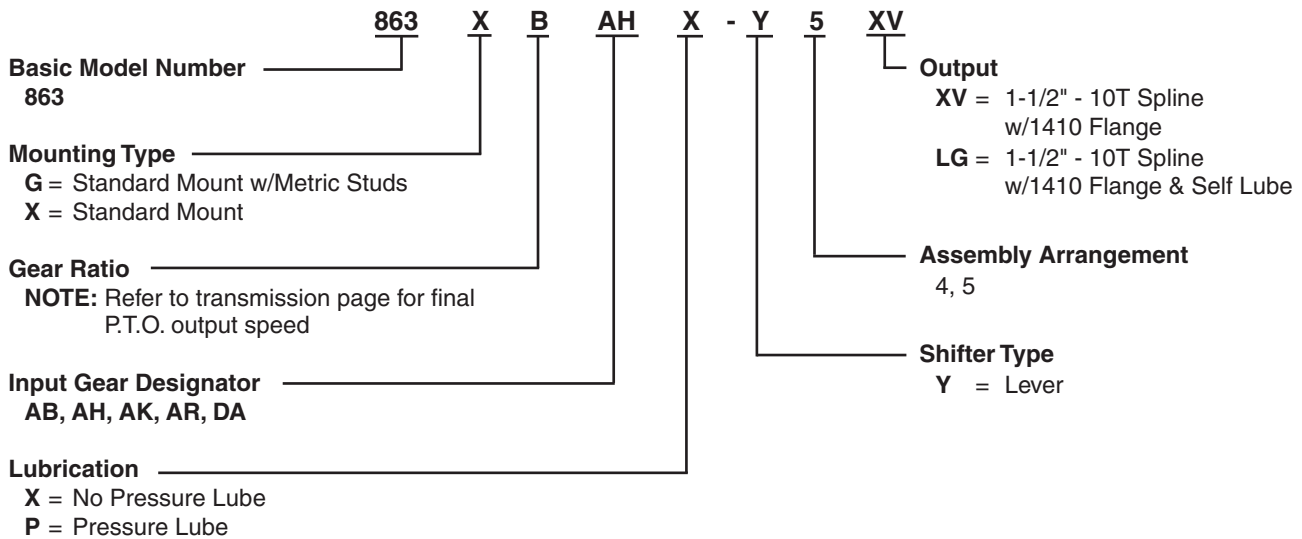
[www.parker.com/chelsea](http://www.parker.com/chelsea)

- Designed to fit transmissions with 8-Bolt openings
- Capable of up to 500 Lbs. ft. of intermittent torque
- Designed for maximum duty reversible applications such as large-capacity winches
- Lever shift is standard
- Two Year Warranty



ENGINEERING YOUR SUCCESS.

## Model Number Designator



## Specifications Chart – 863 Series

	<b>863*B</b>
Standard Output Shaft Size	1-1/2" 10 spline w/1410 flange
Intermittent Torque Rating (Lbs. ft.)	500
Intermittent Torque Rating (N.m.)	678
Horsepower Rating for Intermittent Service	
At 500 R.P.M. of Output Shaft (HP)	48
At 1000 R.P.M. of Output Shaft (HP)	95
At 500 R.P.M. of Output Shaft (Kw)	36
At 1000 R.P.M. of Output Shaft (Kw)	71
Approximate Weight:	96 lbs. [44 kg]